

REV	MODIFICATION	DATE

NOTE:

1. Material:

Housing: Thermoplastics, UL94V-0 (ROHS, HF)
 Contact: Phosphor Bronze C5191-EH/C2680-EH, T=0.25mm
 Shell: COPPER ALLOY T=0.30mm

2. FINISH:

Contact: 15u" Gold Plated on Contact Area,
 80u" Min. Tin Plated on Solder Area
 50u" Min. Nickel Underplating Over All.
 Shell: 50u" Min. Nickel Underplating Over All.

3. Specification:

3.1: Rating:
 Rated voltage 500V AC/DC. Rated current: 2 A Max.

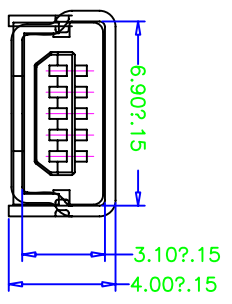
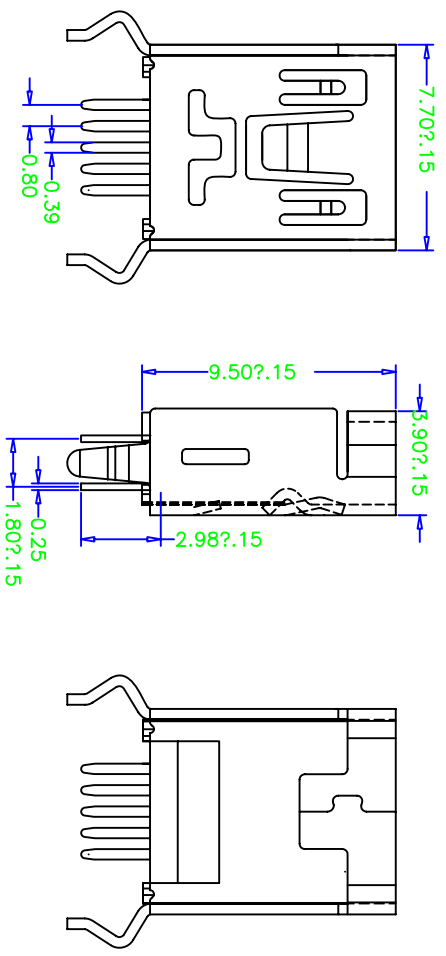
3.2: Electrical:
 Insulation Resistance(EIA-364-21):
 1000MΩ Min. at 500V/DC for 1Minute.
 Contact Resistance(EIA-364-23):
 30 mΩ Max. at 20mV Max, 50mA

Dielectric Withstanding Voltage(EIA-364-20):
 No discharge, flashover or breakdown at 500V/AC 1minute

4. Plug extraction force shall be between :
 INSERTION FORCE: 35N(3.57KGF) MAX
 EXTRACTON FORCE: 10~35N(1.02~3.57KGF) MIN

5. Contact finish:

- 01: Selective Gold Flash
- 02: Selective Gold 3U"
- 03: Selective Gold 5U"
- 04: Selective Gold 15U"
- 05: Selective Gold 30U"



深圳市精拓金电子有限公司

产品图

公差一览表

TOLERANCE UNLESS OTHERWISE SPECIFIED	公差一览表	单位	MM	制图	2-Y-B	制图料号
X ±0.25 X ±5.°	X ±0.25 X ±5.°	UNITS	MM	DRAWING	Z-Y-B	PRODUCT PART NO.
X ±0.20 X ±2.°	X ±0.20 X ±2.°	SCALE	1:1	审核		PRODUCT NO.
XX ±0.15 XX ±1.°	XX ±0.15 XX ±1.°	DATE	2013.12.20	核准		MINI USB5P180度直插弯脚
.XXX ±0.10 .XXX ±0.5°	.XXX ±0.10 .XXX ±0.5°	DATE		APPRO		版本
						REV
						A0