

# MICRO SWITCH

A DIVISION OF MINNEAPOLIS-HONEYWELL REGULATOR COMPANY  
 FREEPORT, ILLINOIS

## ACTUATOR - SWITCH

CATALOG LISTING

JS - 3

FED. MFR. CODE 91929

(M) JS-3  
 ISSUE 3

REPLACES

JS-3

M

DRAWING NUMBER

RELEASE NO.

ISSUE

7

CHECK

26 MAY 59

CHECK

25 MAY 59

CHECK

4 DEC 63

CHECK

17 MAY 89

CHECK

7 MAR 95

CHECK

27 MAY 59

CHECK

27 MAY 59

CHECK

27 MAY 59

CHECK

27 MAY 59

CHECK

27 MAY 59

CHECK

27 MAY 59

CHECK

27 MAY 59

CHECK

27 MAY 59

CHECK

27 MAY 59

CHECK

27 MAY 59

CHECK

27 MAY 59

CHECK

27 MAY 59

CHECK

27 MAY 59

CHECK

27 MAY 59

CHECK

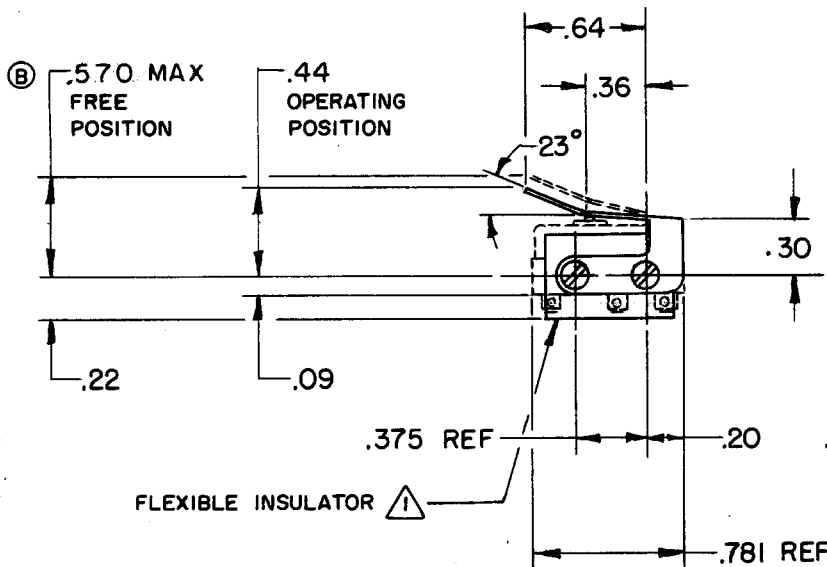
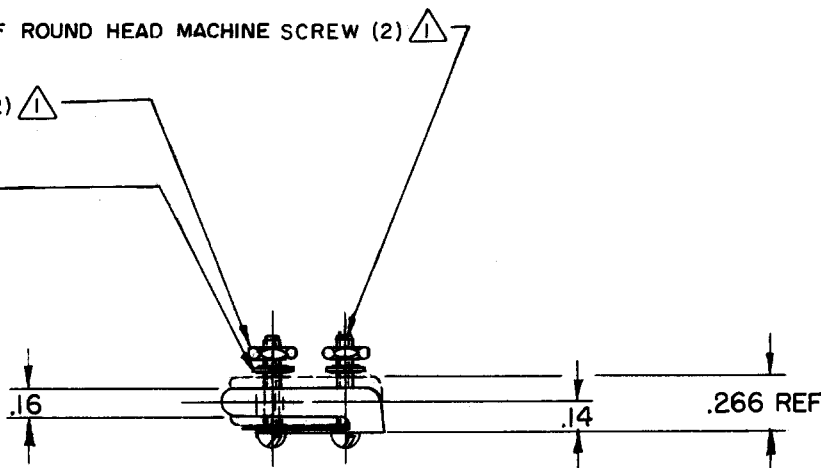
27 MAY 59

CHECK

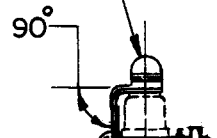
2-56 NC X .500 REF ROUND HEAD MACHINE SCREW (2)  $\triangle$

2-56 NC HEX NUT (2)  $\triangle$

LOCKWASHER (2)  $\triangle$



CORROSION RESISTANT STEEL ACTUATOR



DOTTED LINES INDICATE BASIC SWITCH IN PLACE

NOTE -  
 $\triangle$  - FURNISHED UNASSEMBLED

THIS DRAWING COVERS A PROPRIETARY ITEM AND IS THE PROPERTY OF MICRO SWITCH, A DIVISION OF MINNEAPOLIS-HONEYWELL REGULATOR CO. THIS DRAWING IS NOT TO BE COPIED OR USED WITHOUT THE APPROVAL OF MICRO SWITCH.

### CHARACTERISTICS WITH ISMI BASIC SWITCH INSTALLED

OPERATING FORCE ----- 10 OZ MAX  
 RELEASE FORCE ----- 2 OZ MIN  $\textcircled{B}$   
 DIFFERENTIAL TRAVEL ----- .020 MAX  
 OVERTRAVEL ----- .015 MIN

### ELECTRICAL DATA

CONTACT ARRANGEMENT

### SCALE FULL

DO NOT SCALE PRINT

UNLESS OTHERWISE SPECIFIED  
 DIMENSIONS ARE IN INCHES  
**TOLERANCES ARE:**

ONE PLACE (.0)  $\pm$  .030  
 TWO PLACE (.00)  $\pm$  .015  
 THREE PLACE (.000)  $\pm$  .005  
 ANGLES  $\pm$  2°

WEIGHT

FO-50378

DRAWN

K L B

25, MAY '59

CHECK

27 MAY 59

CHECK

27 MAY 59