

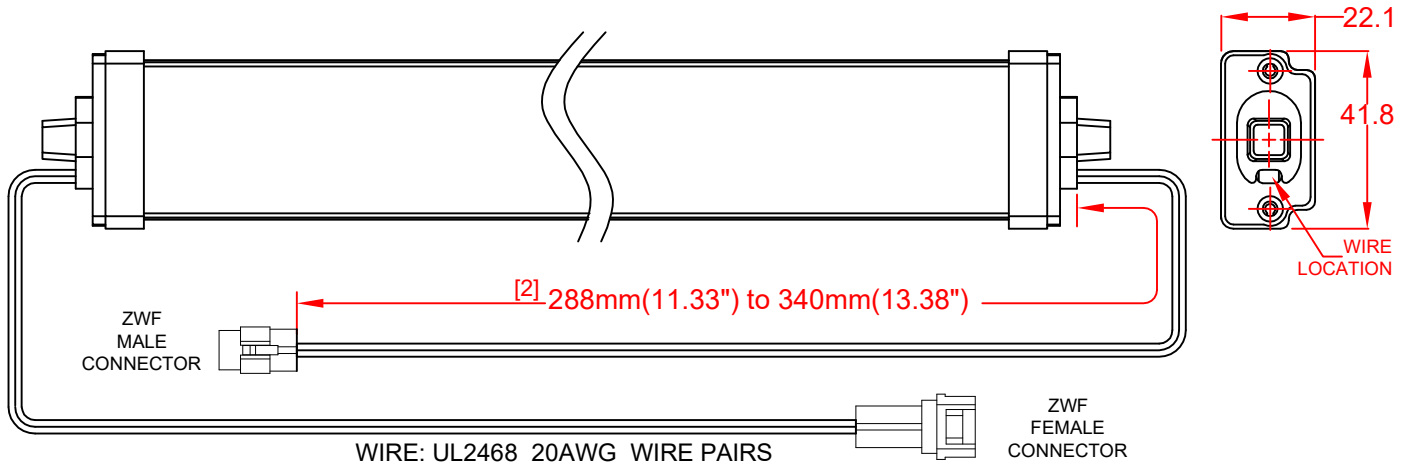
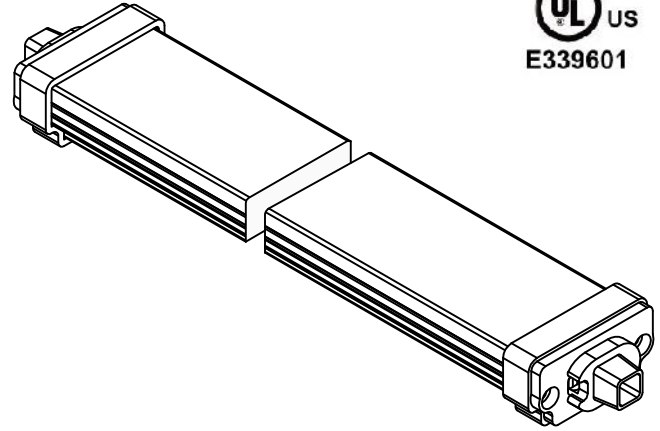
Features

Rugged design with straightforward installation.
 R17d Recessed Double Contact Base
 24V DC design permits safe and easy Class II wiring.
 Vertical or horizontal mounting.
 Green, energy-saving alternative.
 Optimized lens yields high brightness and uniformity.
 Beam angle 160°.
 UL Type C
 5 year warranty.

Maximum Ratings

Input Voltage: 24V DC ±10%
 Life Time: 50,000 HRS (L70)
 CCT 6500°K nominal
 CRI: Ra80 or greater
 IP Rating: IP67
 Operating Temperature Range -40°C to +50°C
 -40°F to +122°C

T12 LED RETRO-FIT



Electro-Optical Characteristics

JKL Part Number	Length (Inches)	Industry Standard	Power (W)	Current (A)	Lumen (lm)	Connection in Series (Max)
ZRF-24HO-CWA	21.91	2 Feet	6.4	0.268	740	12
ZRF-36HO-CWA	33.91	3 Feet	11.2	0.469	1295	8
ZRF-42HO-CWA	39.91	3.5 Feet	12.8	0.536	1480	7
ZRF-48HO-CWA	45.91	4 Feet	14.4	0.603	1665	6
ZRF-60HO-CWA	57.91	5 Feet	19.2	0.804	2220	5
ZRF-72HO-CWA	69.91	6 Feet	22.4	0.938	2590	4
ZRF-84HO-CWA	81.91	7 Feet	27.2	1.139	3145	3
ZRF-96HO-CWA	93.91	8 Feet	32.0	1.340	3700	3

Accessories

ZWF-1000-I Input Connector
 ZWF-CH-J Jumper Connector
 MeanWell LPVL-150-24 Power Supply
 (For 90 -132Vac input)
 MeanWell LPV-150-24 Power Supply
 (For 180 - 305Vac input)

B			METRIC		DIMENSIONS ARE IN mm (INCHES)		JKL COMPONENTS CORPORATION				
CHNG LENGTH OF WIRE , INCOMING INSPECT.			THIRD ANGLE PROJECTION		TOLERANCE UNLESS OTHERWISE SPECIFIED 1 PL +/- REF. 2 PL +/- REF. ANGLE +/-		TITLE T12 LED LAMP REPLACEMENT WITH CONNECTORS				
A CHANGE LENGTH OF WIRE			DRAWN BY L. WENGSTROM		APPV'D BY DATE L.R. 1/26/18		SIZE A	FSCM NO. 55335	DRAWING NO. ZRF-CWA MULTI		
RELEASED			8/30/17		- CAD DRAWING -		SCALE NONE	RELEASED DATE 8/30/17	REVISION DATE 1/26/18	REV. NO. B	SHEET 1 OF 1
REV. NO.	DESCRIPTION/ECO NUMBER	APPV'D DATE	MANUAL REVISIONS NOT PERMITTED								