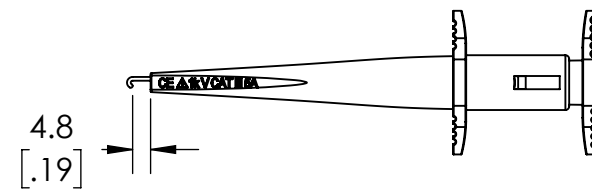
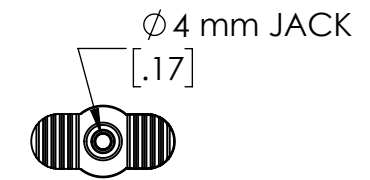
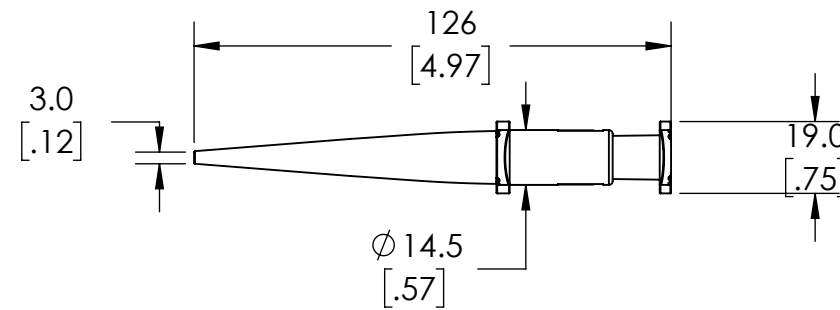
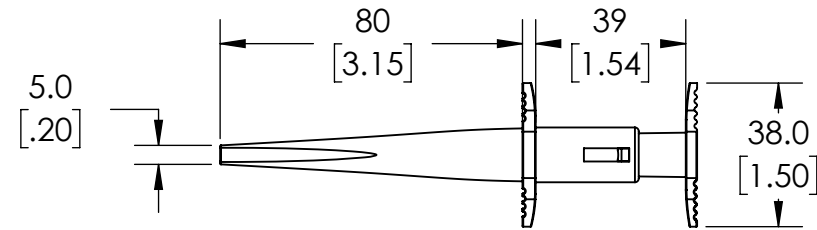


THIS IS ISSUED IN STRICT CONFIDENCE THAT IT IS NOT USED AS A BASIS FOR MANUFACTURE OR SALE AND THAT IT IS NOT COPIED, REPRINTED OR DISCLOSED TO A THIRD PARTY EITHER WHOLLY OR IN PART WITHOUT THE PRIOR WRITTEN CONSENT OF CAL TEST ELECTRONICS, INC.

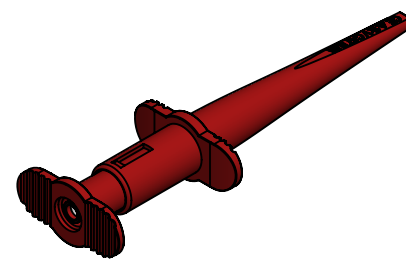
| REVISIONS |                 |            |           |
|-----------|-----------------|------------|-----------|
| REV.      | DESCRIPTION     | DATE       | APPROVED  |
| A         | INITIAL RELEASE | 10/27/2021 | B. HANSEN |

NOTES:

- MATERIAL:  
BODY - NYLON  
HOOK CLIP CONTACT - Ni PLATED BRASS  
4mm JACK - Ni PLATED BRASS
- RATING:  
VOLTAGE: 1000V CAT III (IEC 61010)  
CURRENT: 5A
- RoHS 2 COMPLIANT



HOOK ACTUATED VIEW



ISOMETRIC VIEW

| CT4466-2          | RED           | -                 |
|-------------------|---------------|-------------------|
| CT4466-0          | BLACK         | -                 |
| PART NUMBER       | CONFIGURATION | NOTES / REFERENCE |
| PART NUMBER TABLE |               |                   |

| THIRD ANGLE PROJECTION |   | UNLESS OTHERWISE SPECIFIED DIMENSIONS ARE IN MILLIMETERS TOLERANCES ARE: | PROJECT NO.          | METRIC     | Cal Test ELECTRONICS      |                           | 22820 Savi Ranch Prky. Yorba Linda, CA 92887 USA |                  |
|------------------------|---|--|----------------------|------------|---------------------------|---------------------------|--|------------------|
|                        | X.X = ±0.5 X.X* = ±0.5*<br>X.XX = ±0.25<br>X.XXX = ±0.125<br>DO NOT SCALE DRAWING | MATERIAL<br>SEE NOTES  | APPROVALS            | DATE       | TITLE<br><b>HOOK CLIP</b> |                           |  |                  |
|                        |   |  | DRAWN<br>G.S.G.      | 10/27/2021 |                           |                           |  |                  |
| TREATMENT<br>N/A       | FINISH<br>SEE NOTES   | MATERIAL<br>SEE NOTES  | CHECKER<br>B. HANSEN | 10/27/2021 | SIZE<br><b>B</b>          | CAGE CODE<br><b>43F45</b> | DWG. NO.<br><b>CT4466</b>                        | REV.<br><b>A</b> |
|                        |   |  | ENGR.<br>B. HANSEN   | 10/27/2021 | SCALE<br>1:2              | SHEET 1 OF 1              |  |                  |