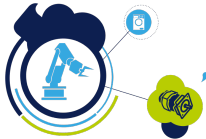
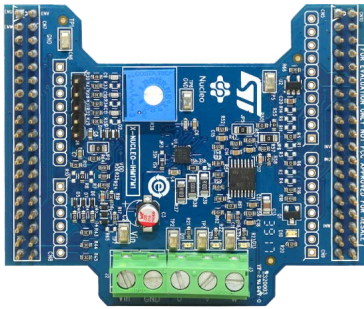


## Low voltage three-phase brushless DC motor driver expansion board based on STSPIN233 for STM32 Nucleo



### Features

- Low voltage range from 1.8 V to 10 V
- Current up to 1.3 A<sub>rms</sub>
- Full overcurrent protection and short-circuit protection
- Thermal shutdown
- Compatible with STM32 Nucleo boards
- Equipped with ST morpho connectors
- Hall/Encoder motor sensor connector and circuit
- Potentiometer available for speed regulation
- RoHS compliant

### Description

The **X-NUCLEO-IHM17M1** is a low voltage three-phase brushless DC motor driver expansion board based on the **STSPIN233** for **STM32 Nucleo**.

It provides an affordable and easy-to-use solution for the implementation of portable motor driving applications such as thermal printers, robotics and toys.

The **X-NUCLEO-IHM17M1** is compatible with the Arduino UNO R3 connector and most STM32 Nucleo boards.

The board is designed for six-step and FOC algorithms with single and three-shunt sensing topology.

#### Summary table

Low voltage three-phase brushless DC motor driver expansion board based on STSPIN233 for STM32 Nucleo	<a href="#">X-NUCLEO-IHM17M1</a>
Low voltage three phase and three sense motor driver	<a href="#">STSPIN233</a>
STM32 Nucleo development board	<a href="#">STM32 Nucleo</a>

# 1 X-NUCLEO-IHM17M1 schematic diagram

Figure 1. X-NUCLEO-IHM17M1 circuit schematic (1 of 2)

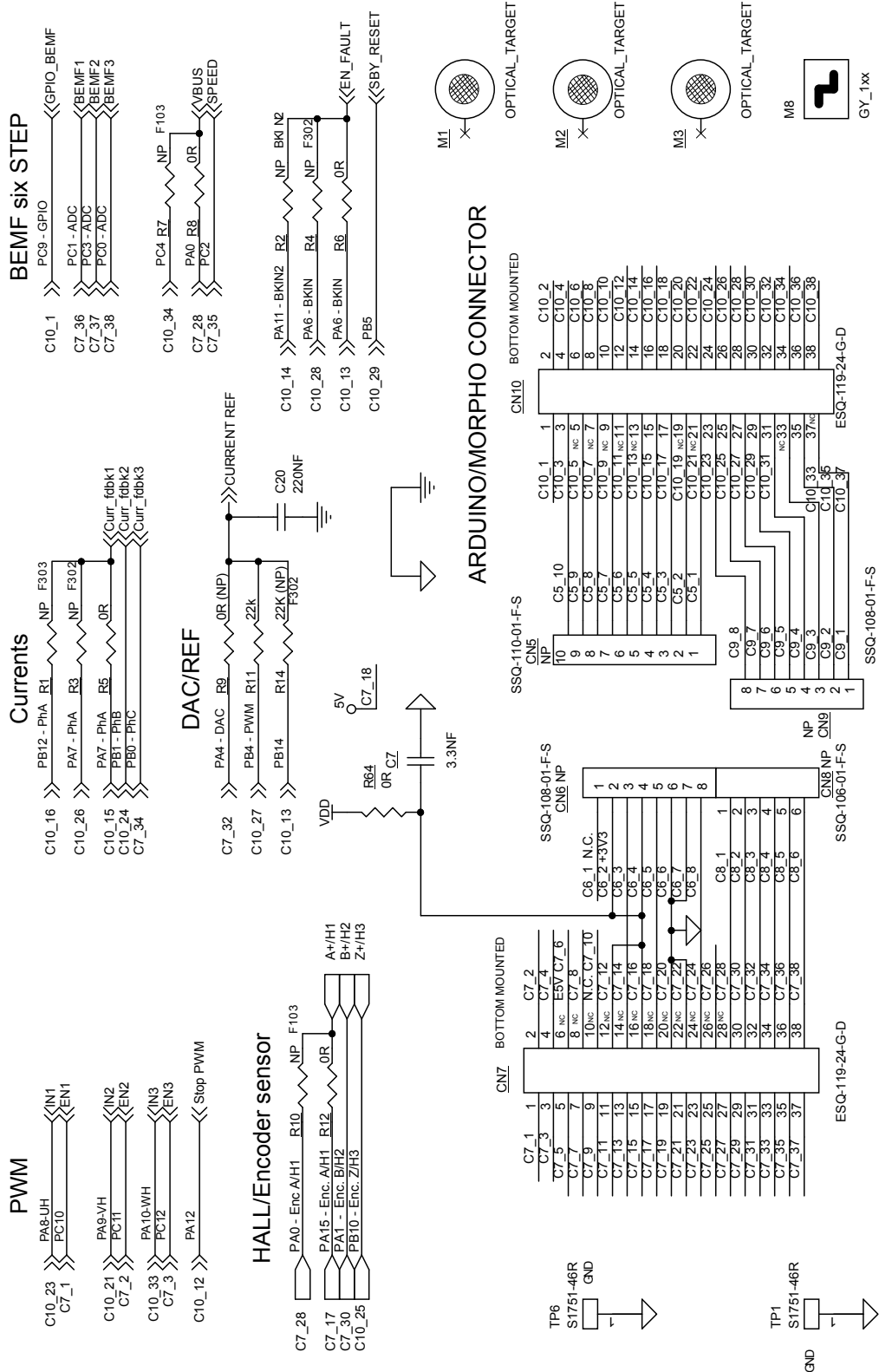
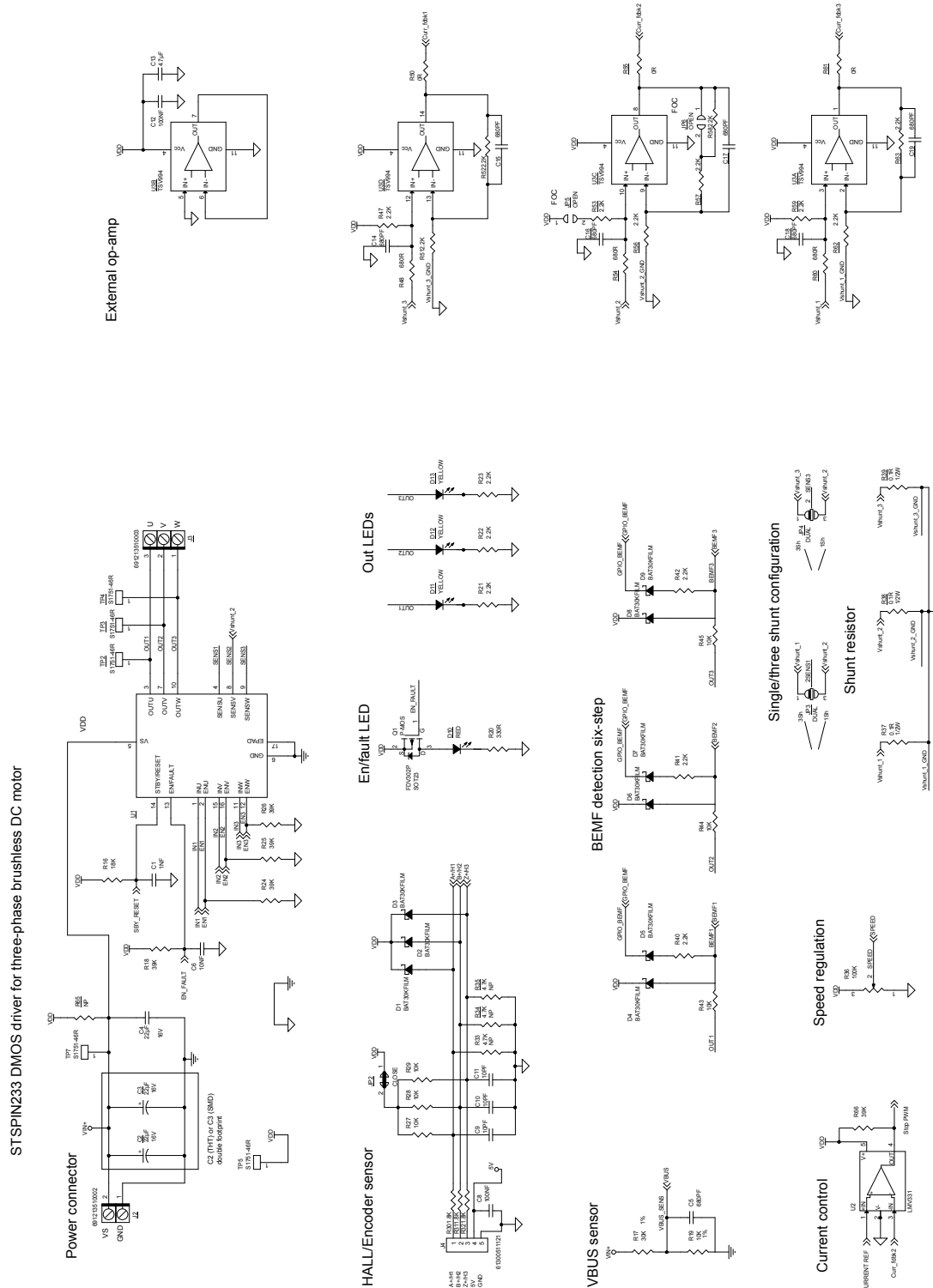


Figure 2. X-NUCLEO-IHM17M1 circuit schematic (2 of 2)



## Revision history

**Table 1. Document revision history**

Date	Version	Changes
28-Feb-2017	1	Initial release.

**IMPORTANT NOTICE – PLEASE READ CAREFULLY**

STMicroelectronics NV and its subsidiaries (“ST”) reserve the right to make changes, corrections, enhancements, modifications, and improvements to ST products and/or to this document at any time without notice. Purchasers should obtain the latest relevant information on ST products before placing orders. ST products are sold pursuant to ST’s terms and conditions of sale in place at the time of order acknowledgement.

Purchasers are solely responsible for the choice, selection, and use of ST products and ST assumes no liability for application assistance or the design of Purchasers’ products.

No license, express or implied, to any intellectual property right is granted by ST herein.

Resale of ST products with provisions different from the information set forth herein shall void any warranty granted by ST for such product.

ST and the ST logo are trademarks of ST. All other product or service names are the property of their respective owners.

Information in this document supersedes and replaces information previously supplied in any prior versions of this document.

© 2018 STMicroelectronics – All rights reserved