



Quality Products. Service Excellence.

Toroidal L.V. - Chassis Mount - 15 VA to 1500 VA 182 Series

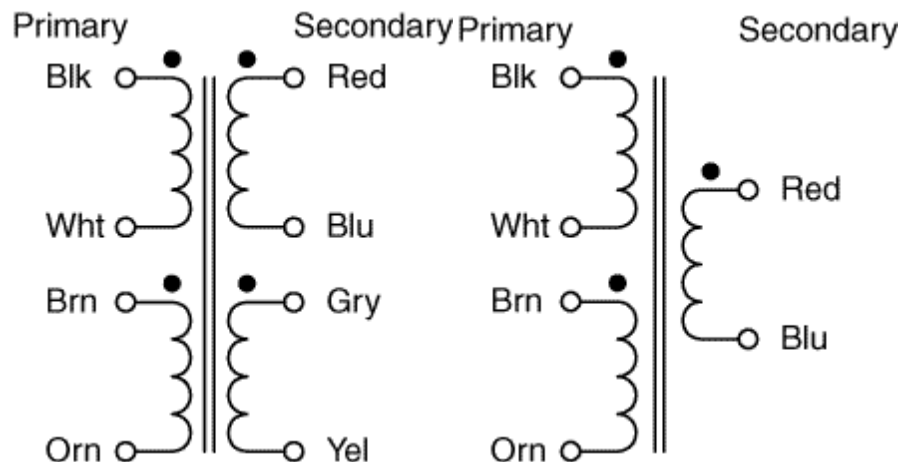


Note: This product line will soon be discontinued as a stocked series. Available while quantities last. It has been replaced with **1182 Series**. For alternative solution assistance, please **contact Hammond here** or call: USA (716) 630-7030, Canada and International (519) 822-2960.

Features



- Low profile, lightweight, cool running - due to high efficiency toroidal design
- Dual 117/234 VAC primary, 50/60 Hz. operation
- Units are designed to have all windings engaged.
- Center single hole mounting - units over 225VA include a potted center (see photos below) for extra mounting strength.
- Supplied with two rubber insulating pads, one metal centering washer and all mounting hardware (160VA and under)
- Supplied with one bottom rubber insulating pad and mounting hardware (225VA and larger)
- Center bolt size varies with VA - see tables below.
- Minimum 8" long flexible leads
- Hi-Pot test of 4,000V RMS between primary & secondary
- CSA certified to C22.2 #66 - CSA file #209651
- UL recognized to UL506 - UL file #E207860
- CE certified to IEC950
- **Note about Inrush Current:**
- Due to the superior magnetic properties of Toroidal transformers they will be susceptible to high magnetizing current when initially energized, only limited by the low DC resistance of the primary winding. Depending on where you are in the AC cycle when the transformer is energized dictates the chances of overloading the supply circuit. This is why the transformer may sometimes energize without a problem and other times it will blow the fuse or trip the circuit breaker. The duration of this overload is rarely longer than a half of a cycle. Therefore, you should consider using a slow-blow fuse, time delayed circuit breaker or other form of soft start circuitry for the supply line when using these high efficient Toroidal transformers.



| Part No. | VA | VAC Secondary (RMS) | | Dual or Single Secondary | Toroid Center | Outside Diameter | Potted | Included Mounting Hardware Size | | | Top Steel Mounting Washer with Top & Bottom Rubber Washer | Weight (lbs.) |
|----------|------|---------------------|--------------|--------------------------|---------------|------------------|--------|---------------------------------|--------|--------|---|---------------|
| | | Series | Parallel | | | | | Height | Center | Thread | | |
| 182K6 | 15 | 12V C.T. @ 1.25A | 6V @ 2.5A | Dual | Open | 2.70 | 1.25 | No | 8-32 | 1.50 | Yes | 0.76 |
| 182L6 | 30 | 12V C.T. @ 2.5A | 6V @ 5A | Dual | Open | 2.95 | 1.60 | No | 10-24 | 2.00 | Yes | 1.12 |
| 182N6 | 50 | 12V C.T. @ 4.17A | 6V @ 8.34A | Dual | Open | 3.63 | 1.73 | No | 10-24 | 2.00 | Yes | 1.67 |
| 182Q6 | 80 | 12V C.T. @ 6.67A | 6V @ 13.34A | Dual | Open | 3.73 | 1.52 | No | 10-24 | 2.00 | Yes | 2.15 |
| 182H9 | 15 | 18V C.T. @ .83A | 9V @ 1.66A | Dual | Open | 2.70 | 1.25 | No | 8-32 | 1.50 | Yes | 0.76 |
| 182K9 | 30 | 18V C.T. @ 1.67A | 9V @ 3.34A | Dual | Open | 2.95 | 1.60 | No | 10-24 | 2.00 | Yes | 1.12 |
| 182M9 | 50 | 18V C.T. @ 2.78A | 9V @ 5.56A | Dual | Open | 3.63 | 1.73 | No | 10-24 | 2.00 | Yes | 1.67 |
| 182N9 | 80 | 18V C.T. @ 4.44A | 9V @ 8.88A | Dual | Open | 3.73 | 1.52 | No | 10-24 | 2.00 | Yes | 2.15 |
| 182Q9 | 120 | 18V C.T. @ 6.67A | 9V @ 13.34A | Dual | Open | 3.98 | 1.68 | No | 10-24 | 2.00 | Yes | 2.84 |
| 182G12 | 15 | 24V C.T. @ .63A | 12V @ 1.26A | Dual | Open | 2.70 | 1.25 | No | 8-32 | 1.50 | Yes | 0.76 |
| 182K12 | 30 | 24V C.T. @ 1.25A | 12V @ 2.5A | Dual | Open | 2.95 | 1.60 | No | 10-24 | 2.00 | Yes | 1.12 |
| 182L12 | 50 | 24V C.T. @ 2.08A | 12V @ 4.16A | Dual | Open | 3.63 | 1.73 | No | 10-24 | 2.00 | Yes | 1.67 |
| 182M12 | 80 | 24V C.T. @ 3.33A | 12V @ 6.66A | Dual | Open | 3.73 | 1.52 | No | 10-24 | 2.00 | Yes | 2.15 |
| 182P12 | 120 | 24V C.T. @ 5A | 12V @ 10A | Dual | Open | 3.98 | 1.68 | No | 10-24 | 2.00 | Yes | 2.84 |
| 182Q12 | 160 | 24V C.T. @ 6.67A | 12V @ 13.34A | Dual | Open | 4.43 | 1.73 | No | 1/4-20 | 2.50 | Yes | 3.87 |
| 182S12 | 225 | 24V C.T. @ 9.38A | 12V @ 18.76A | Dual | Potted | 4.97 | 1.90 | Yes | 1/4-20 | 2.50 | Bottom Rubber Washer Only | 4.96 |
| 182T12 | 300 | 24V C.T. @ 12.5A | 12V @ 25A | Dual | Potted | 5.06 | 2.27 | Yes | 1/4-20 | 2.50 | Bottom Rubber Washer Only | 5.58 |
| 182G15 | 15 | 30V C.T. @ .5A | 15V @ 1A | Dual | Open | 2.70 | 1.25 | No | 8-32 | 1.50 | Yes | 0.76 |
| 182J15 | 30 | 30V C.T. @ 1A | 15V @ 2A | Dual | Open | 2.95 | 1.60 | No | 10-24 | 2.00 | Yes | 1.12 |
| 182K15 | 50 | 30V C.T. @ 1.67A | 15V @ 3.34A | Dual | Open | 3.63 | 1.73 | No | 10-24 | 2.00 | Yes | 1.67 |
| 182M15 | 80 | 30V C.T. @ 2.67A | 15V @ 5.34A | Dual | Open | 3.73 | 1.52 | No | 10-24 | 2.00 | Yes | 2.15 |
| 182N15 | 120 | 30V C.T. @ 4A | 15V @ 8A | Dual | Open | 3.98 | 1.68 | No | 10-24 | 2.00 | Yes | 2.84 |
| 182P15 | 160 | 30V C.T. @ 5.33A | 15V @ 10.66A | Dual | Open | 4.43 | 1.73 | No | 1/4-20 | 2.50 | Yes | 3.87 |
| 182H15 | 225 | 30V C.T. @ 7.5A | 15V @ 15A | Dual | Potted | 4.97 | 1.90 | Yes | 1/4-20 | 2.50 | Bottom Rubber Washer Only | 4.96 |
| 182S15 | 300 | 30V C.T. @ 10A | 15V @ 20A | Dual | Potted | 5.06 | 2.27 | Yes | 1/4-20 | 2.50 | Bottom Rubber Washer Only | 5.58 |
| 182F18 | 15 | 36V C.T. @ .42A | 18V @ .84A | Dual | Open | 2.70 | 1.25 | No | 8-32 | 1.50 | Yes | 0.76 |
| 182H18 | 30 | 36V C.T. @ .83A | 18V @ 1.66A | Dual | Open | 2.95 | 1.60 | No | 10-24 | 2.00 | Yes | 1.12 |
| 182J18 | 50 | 36V C.T. @ 1.39A | 18V @ 2.78A | Dual | Open | 3.63 | 1.73 | No | 10-24 | 2.00 | Yes | 1.67 |
| 182L18 | 80 | 36V C.T. @ 2.22A | 18V @ 4.44A | Dual | Open | 3.73 | 1.52 | No | 10-24 | 2.00 | Yes | 2.15 |
| 182M18 | 120 | 36V C.T. @ 3.33A | 18V @ 6.66A | Dual | Open | 3.98 | 1.68 | No | 10-24 | 2.00 | Yes | 2.84 |
| 182N18 | 160 | 36V C.T. @ 4.44A | 18V @ 8.88A | Dual | Open | 4.43 | 1.73 | No | 1/4-20 | 2.50 | Yes | 3.87 |
| 182G18 | 225 | 36V C.T. @ 6.25A | 18V @ 12.5A | Dual | Potted | 4.97 | 1.90 | Yes | 1/4-20 | 2.50 | Bottom Rubber Washer Only | 4.96 |
| 182F22 | 15 | 44V C.T. @ .34A | 22V @ .68A | Dual | Open | 2.70 | 1.25 | No | 8-32 | 1.50 | Yes | 0.76 |
| 182G22 | 30 | 44V C.T. @ .68A | 22V @ 1.36A | Dual | Open | 2.95 | 1.60 | No | 10-24 | 2.00 | Yes | 1.12 |
| 182J22 | 50 | 44V C.T. @ 1.14A | 22V @ 2.28A | Dual | Open | 3.63 | 1.73 | No | 10-24 | 2.00 | Yes | 1.67 |
| 182L22 | 80 | 44V C.T. @ 1.82A | 22V @ 3.64A | Dual | Open | 3.73 | 1.52 | No | 10-24 | 2.00 | Yes | 2.15 |
| 182M22 | 120 | 44V C.T. @ 2.73A | 22V @ 5.46A | Dual | Open | 3.98 | 1.68 | No | 10-24 | 2.00 | Yes | 2.84 |
| 182N22 | 160 | 44V C.T. @ 3.64A | 22V @ 7.28A | Dual | Open | 4.43 | 1.73 | No | 1/4-20 | 2.50 | Yes | 3.87 |
| 182P22 | 225 | 44V C.T. @ 5.11A | 22V @ 10.22A | Dual | Potted | 4.97 | 1.90 | Yes | 1/4-20 | 2.50 | Bottom Rubber Washer Only | 4.96 |
| 182S24 | 500 | 48V C.T. @ 10.42A | 24V @ 20.82A | Dual | Potted | 5.50 | 2.21 | Yes | 1/4-20 | 2.50 | Bottom Rubber Washer Only | 8.46 |
| 182T24 | 625 | 48V C.T. @ 13.02A | 24V @ 26.04A | Dual | Potted | 6.10 | 3.10 | Yes | 3/8-16 | 3.50 | Bottom Rubber Washer Only | 10.38 |
| 182U24 | 750 | 48V C.T. @ 15.63A | 24V @ 31.26A | Dual | Potted | 6.40 | 3.10 | Yes | 3/8-16 | 3.50 | Bottom Rubber Washer Only | 13.53 |
| 182V24 | 1000 | 48V C.T. @ 20.8A | 24V @ 41.7A | Dual | Potted | 6.50 | 3.50 | Yes | 3/8-16 | 3.50 | Bottom Rubber Washer Only | 16.49 |
| 182K30 | 80 | 60V C.T. @ 1.33A | 30V @ 2.66A | Dual | Open | 3.73 | 1.52 | No | 10-24 | 2.00 | Yes | 2.15 |
| 182L30 | 120 | 60V C.T. @ 2A | 30V @ 4A | Dual | Open | 3.98 | 1.68 | No | 10-24 | 2.00 | Yes | 2.84 |
| 182M30 | 160 | 60V C.T. @ 2.67A | 30V @ 5.34A | Dual | Open | 4.43 | 1.73 | No | 1/4-20 | 2.50 | Yes | 3.87 |
| 182F30 | 225 | 60V C.T. @ 3.75A | 30V @ 7.5A | Dual | Potted | 4.97 | 1.90 | Yes | 1/4-20 | 2.50 | Bottom Rubber Washer Only | 4.96 |
| 182P30 | 300 | 60V C.T. @ 5A | 30V @ 10A | Dual | Potted | 5.06 | 2.27 | Yes | 1/4-20 | 2.50 | Bottom Rubber Washer Only | 5.58 |
| 182R30 | 500 | 60V C.T. @ 8.33A | 30V @ 16.66A | Dual | Potted | 5.50 | 2.21 | Yes | 1/4-20 | 2.50 | Bottom Rubber Washer Only | 8.46 |
| 182S30 | 625 | 60V C.T. @ 10.42A | 30V @ 20.84A | Dual | Potted | 6.10 | 3.10 | Yes | 3/8-16 | 3.50 | Bottom Rubber Washer Only | 10.38 |
| 182T30 | 750 | 60V C.T. @ 12.5A | 30V @ 25A | Dual | Potted | 6.40 | 3.10 | Yes | 3/8-16 | 3.50 | Bottom Rubber Washer Only | 13.53 |
| 182U30 | 1000 | 60V C.T. @ 16.7A | 30V @ 33.3A | Dual | Potted | 6.50 | 3.50 | Yes | 3/8-16 | 3.50 | Bottom Rubber Washer Only | 16.49 |
| 182V40 | 1500 | 80V C.T. @ 18.8A | 40V @ 37.5A | Dual | Potted | 7.20 | 3.50 | Yes | 3/8-16 | 3.50 | Bottom Rubber Washer Only | 24.97 |
| 182L60 | 300 | 120V C.T. @ 2.5A | 60V @ 5A | Dual | Potted | 5.06 | 2.27 | Yes | 1/4-20 | 2.50 | Bottom Rubber Washer Only | 5.58 |

| Part No. | VA | VAC Secondary (RMS) | | Dual or Single Secondary | Toroid Center | Outside Diameter | Potted | Included Mounting Hardware Size | | | Top Steel Mounting Washer with Top & Bottom Rubber Washer | Weight (lbs.) |
|----------|------|---------------------|--------------|--------------------------|---------------|------------------|--------|---------------------------------|--------|--------|---|---------------|
| | | Series | Parallel | | | | | Height | Center | Thread | | |
| 182N60 | 500 | 120V C.T. @ 4.17A | 60V @ 8.34A | Dual | Potted | 5.50 | 2.21 | Yes | 1/4-20 | 2.50 | Bottom Rubber Washer Only | 8.46 |
| 182P60 | 625 | 120V C.T. @ 5.21A | 60V @ 10.42A | Dual | Potted | 6.10 | 3.10 | Yes | 3/8-16 | 3.50 | Bottom Rubber Washer Only | 10.38 |
| 182Q60 | 750 | 120V C.T. @ 6.25A | 60V @ 12.5A | Dual | Potted | 6.40 | 3.10 | Yes | 3/8-16 | 3.50 | Bottom Rubber Washer Only | 13.53 |
| 182R60 | 1000 | 120V C.T. @ 8.3A | 60V @ 16.7A | Dual | Potted | 6.50 | 3.50 | Yes | 3/8-16 | 3.50 | Bottom Rubber Washer Only | 16.49 |
| 182T60 | 1500 | 120V C.T. @ 12.5A | 60V @ 25A | Dual | Potted | 7.20 | 3.50 | Yes | 3/8-16 | 3.50 | Bottom Rubber Washer Only | 24.97 |
| 182D110 | 15 | 220V C.T. @ 68ma | 110V @ 136ma | Dual | Open | 2.70 | 1.25 | No | 8-32 | 1.50 | Yes | 0.76 |
| 182E110 | 30 | 220V C.T. @ 136ma | 110V @ 272ma | Dual | Open | 2.95 | 1.60 | No | 10-24 | 2.00 | Yes | 1.12 |
| 182G110 | 50 | 220V C.T. @ 227ma | 110V @ 454ma | Dual | Open | 3.63 | 1.73 | No | 10-24 | 2.00 | Yes | 1.67 |
| 182H110 | 80 | 220V C.T. @ 364ma | 110V @ 728ma | Dual | Open | 3.73 | 1.52 | No | 10-24 | 2.00 | Yes | 2.15 |
| 182J110 | 120 | 220V C.T. @ 545ma | 110V @ 1.09A | Dual | Open | 3.98 | 1.68 | No | 10-24 | 2.00 | Yes | 2.84 |
| 182K110 | 160 | 220V C.T. @ 727ma | 110V @ 1.45A | Dual | Open | 4.43 | 1.73 | No | 1/4-20 | 2.50 | Yes | 3.87 |
| 182L110 | 225 | 220V C.T. @ 1.02A | 110V @ 2.04A | Dual | Potted | 4.97 | 1.90 | Yes | 1/4-20 | 2.50 | Bottom Rubber Washer Only | 4.96 |
| 182M110 | 300 | 220V C.T. @ 1.36A | 110V @ 2.72A | Dual | Potted | 5.06 | 2.27 | Yes | 1/4-20 | 2.50 | Bottom Rubber Washer Only | 5.58 |
| 182P110 | 500 | 220V C.T. @ 2.27A | 110V @ 4.54A | Dual | Potted | 5.50 | 2.21 | Yes | 1/4-20 | 2.50 | Bottom Rubber Washer Only | 8.46 |
| 182Q110 | 625 | 220V C.T. @ 2.84A | 110V @ 5.68A | Dual | Potted | 6.10 | 3.10 | Yes | 3/8-16 | 3.50 | Bottom Rubber Washer Only | 10.38 |
| 182R110 | 750 | 220V C.T. @ 3.41A | 110V @ 6.82A | Dual | Potted | 6.40 | 3.10 | Yes | 3/8-16 | 3.50 | Bottom Rubber Washer Only | 13.53 |
| 182S110 | 1000 | 220V C.T. @ 4.5A | 110V @ 9.1A | Dual | Potted | 6.50 | 3.50 | Yes | 3/8-16 | 3.50 | Bottom Rubber Washer Only | 16.49 |
| 182U110 | 1500 | 220V C.T. @ 6.8A | 110V @ 13.6A | Dual | Potted | 7.20 | 3.50 | Yes | 3/8-16 | 3.50 | Bottom Rubber Washer Only | 24.97 |
| 182D117 | 15 | 234V C.T. @ 64ma | 117V @ 128ma | Dual | Open | 2.70 | 1.25 | No | 8-32 | 1.50 | Yes | 0.76 |
| 182E117 | 30 | 234V C.T. @ 128ma | 117V @ 256ma | Dual | Open | 2.95 | 1.60 | No | 10-24 | 2.00 | Yes | 1.12 |
| 182G117 | 50 | 234V C.T. @ 214ma | 117V @ 428ma | Dual | Open | 3.63 | 1.73 | No | 10-24 | 2.00 | Yes | 1.67 |
| 182H117 | 80 | 234V C.T. @ 342ma | 117V @ 684ma | Dual | Open | 3.73 | 1.52 | No | 10-24 | 2.00 | Yes | 2.15 |
| 182J117 | 120 | 234V C.T. @ 513ma | 117V @ 1.02A | Dual | Open | 3.98 | 1.68 | No | 10-24 | 2.00 | Yes | 2.84 |
| 182K117 | 160 | 234V C.T. @ 684ma | 117V @ 1.37A | Dual | Open | 4.43 | 1.73 | No | 1/4-20 | 2.50 | Yes | 3.87 |
| 182L117 | 225 | 234V C.T. @ .96A | 117V @ 1.92A | Dual | Potted | 4.97 | 1.90 | Yes | 1/4-20 | 2.50 | Bottom Rubber Washer Only | 4.96 |
| 182M117 | 300 | 234V C.T. @ 1.28A | 117V @ 2.56A | Dual | Potted | 5.06 | 2.27 | Yes | 1/4-20 | 2.50 | Bottom Rubber Washer Only | 5.58 |
| 182N117 | 500 | 234V C.T. @ 2.14A | 117V @ 4.28A | Dual | Potted | 5.50 | 2.21 | Yes | 1/4-20 | 2.50 | Bottom Rubber Washer Only | 8.46 |
| 182P117 | 625 | 234V C.T. @ 2.67A | 117V @ 5.34A | Dual | Potted | 6.10 | 3.10 | Yes | 3/8-16 | 3.50 | Bottom Rubber Washer Only | 10.38 |
| 182Q117 | 750 | 234V C.T. @ 3.21A | 117V @ 6.42A | Dual | Potted | 6.40 | 3.10 | Yes | 3/8-16 | 3.50 | Bottom Rubber Washer Only | 13.53 |
| 182R117 | 1000 | 234V C.T. @ 4.3A | 117V @ 8.5A | Dual | Potted | 6.50 | 3.50 | Yes | 3/8-16 | 3.50 | Bottom Rubber Washer Only | 16.49 |
| 182T117 | 1500 | 234V C.T. @ 6.4A | 117V @ 12.8A | Dual | Potted | 7.20 | 3.50 | Yes | 3/8-16 | 3.50 | Bottom Rubber Washer Only | 24.97 |
| 182B240 | 15 | - | 240V @ 63ma | Single | Open | 2.70 | 1.25 | No | 8-32 | 1.50 | Yes | 0.76 |
| 182D240 | 30 | - | 240V @ 125ma | Single | Open | 2.95 | 1.60 | No | 10-24 | 2.00 | Yes | 1.12 |
| 182E240 | 50 | - | 240V @ 208ma | Single | Open | 3.63 | 1.73 | No | 10-24 | 2.00 | Yes | 1.67 |
| 182F240 | 80 | - | 240V @ 333ma | Single | Open | 3.73 | 1.52 | No | 10-24 | 2.00 | Yes | 2.15 |
| 182G240 | 120 | - | 240V @ .5A | Single | Open | 3.98 | 1.68 | No | 10-24 | 2.00 | Yes | 2.84 |
| 182H240 | 160 | - | 240V @ 667ma | Single | Open | 4.43 | 1.73 | No | 1/4-20 | 2.50 | Yes | 3.87 |
| 182J240 | 225 | - | 240V @ .94A | Single | Potted | 4.97 | 1.90 | Yes | 1/4-20 | 2.50 | Bottom Rubber Washer Only | 4.96 |
| 182K240 | 300 | - | 240V @ 1.25A | Single | Potted | 5.06 | 2.27 | Yes | 1/4-20 | 2.50 | Bottom Rubber Washer Only | 5.58 |
| 182L240 | 500 | - | 240V @ 2.08A | Single | Potted | 5.50 | 2.21 | Yes | 1/4-20 | 2.50 | Bottom Rubber Washer Only | 8.46 |
| 182M240 | 625 | - | 240V @ 2.6A | Single | Potted | 6.10 | 3.10 | Yes | 3/8-16 | 3.50 | Bottom Rubber Washer Only | 10.38 |
| 182N240 | 750 | - | 240V @ 3.13A | Single | Potted | 6.40 | 3.10 | Yes | 3/8-16 | 3.50 | Bottom Rubber Washer Only | 13.53 |
| 182P240 | 1000 | - | 240V @ 4.17A | Single | Potted | 6.50 | 3.50 | Yes | 3/8-16 | 3.50 | Bottom Rubber Washer Only | 16.49 |
| 182Q240 | 1500 | - | 240V @ 6.3A | Single | Potted | 7.20 | 3.50 | Yes | 3/8-16 | 3.50 | Bottom Rubber Washer Only | 24.97 |

Data subject to change without notice

