

MATERIALS:

Body and Fittings: Brass per QQ-B-626, Alloy 360 ½ H. Tarnish resistant plating

Center Contact: Brass per QQ-B-626, Alloy 360 ½ H. Tarnish resistant plating

Outer Contact: Gold Plated Beryllium Copper per QQ-C-530, Cond. HT.

Dielectric: PTFE

Finish:

Body and Fittings: Non-tarnish

Outer and Center Contacts: Gold Flash per MIL-G-45204 over silver plate per QQ-S-365

ORDERING INFORMATION: Model 3600

All dimensions are in inches. Tolerances (except noted): .xx = ±.02" (.51 mm), .xxx = ± .005" (.127 mm).

All specifications are to the latest revisions. Specifications are subject to change without notice.

Registered trademarks are the property of their respective companies.

Made in USA

6/9/99

SY/EH/LS

S:\Engineering\Release\DataSheets\FI\ukeDataSheet\AI_3600_1_01.doc

Sales: 800-490-2361 Fax: 888-403-3360

Technical Assistance: 800-241-2060

PomonaACCESS 90100 (800) 444-6785 or (425) 446-6010

More drawings available at www.pomonaelectronics.com

Page 1 of 3

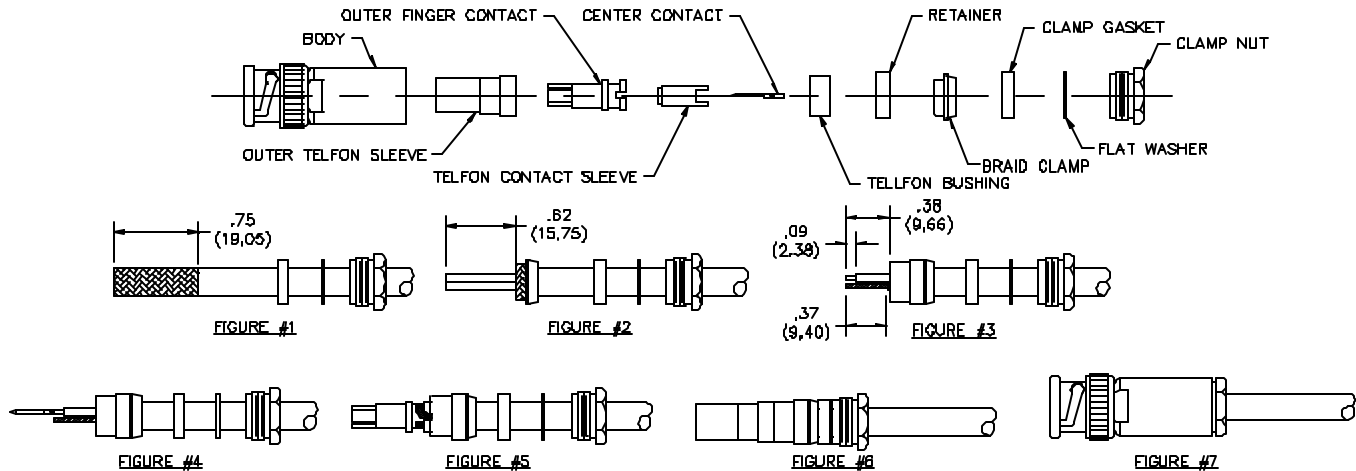


FIGURE #1

- A. Cut cable.
- B. Slide clamp nut, flat washer and clamp gasket over cable.
- C. Strip jacket.

FIGURE #2

- D. Fold back braid and trim cable filler.
- E. Slide braid clamp over braid so that its inner shoulder butts against cable jacket. Fan out braid wires, fold back over braid clamp, trim off excess braid as shown.
- F. Cut conductors to dimensions shown.

FIGURE #3

- G. Slide retainer over both conductors and press against braid clamp.
- H. Strip blue (or equivalent) wire as shown.
- I. Slide Teflon bushing over both conductors and press against retainer.
- J. Strip white wire to dimensions shown.

FIGURE #4

- K. Place center contact sleeve over white conductor wire and solder, verify all strains go into the contact.

All dimensions are in inches. Tolerances (except noted): .xx = ±.02" (.51 mm), .xxx = ±.005" (.127 mm).

All specifications are to the latest revisions. Specifications are subject to change without notice.

Registered trademarks are the property of their respective companies.

Made in USA

Caution: Do Not Over Heat!

FIGURE #5

- L. Slide Teflon contact sleeve over center contact.
- M. Slide outer finger contact over Teflon contact sleeve.
- N. Wrap blue wire around outer finger as shown and solder.

FIGURE #6

- O. Slide clamp gasket, washer and clamp nut forward until gasket seats on the end of the braid clamp.
- P. Slide outer Teflon sleeve over the outer finger contact.

FIGURE #7

- Q. Slide plug body over the entire assembly and tighten clamp nut 35 to 40 inch-pounds.
- L. Slide Teflon contact sleeve over center contact.
- M. Slide outer finger contact over Teflon contact sleeve.
- N. Wrap blue wire around outer finger as shown and solder.

All dimensions are in inches. Tolerances (except noted): .xx = $\pm .02$ " (.51 mm), .xxx = $\pm .005$ " (.127 mm).
All specifications are to the latest revisions. Specifications are subject to change without notice.
Registered trademarks are the property of their respective companies.

Made in USA

6/9/99

SY/EH/LS

S:\Engineering\Release\DataSheets\FIukeDataSheet\AI_3600_1_01.doc

Sales: 800-490-2361 Fax: 888-403-3360

Technical Assistance: 800-241-2060

PomonaACCESS 90100 (800) 444-6785 or (425) 446-6010
More drawings available at www.pomonaelectronics.com

Page 3 of 3