

VS-08-RJ45-5-Q/IP20 TIA568A - RJ45 connector



1417016

<https://www.phoenixcontact.com/us/products/1417016>

Please be informed that the data shown in this PDF document is generated from our Online Catalog. Please find the complete data in the user documentation. Our General Terms of Use for Downloads are valid.



RJ45 connector, degree of protection: IP20, number of positions: 8, 1 Gbps, CAT5 (IEC 11801:2002), material: PA, connection method: IDC fast connection, connection cross section: AWG 26- 23, cable outlet: straight, color: traffic grey A RAL 7042

Commercial Data

| | |
|--------------------------------------|--------------------------------|
| Item number | 1417016 |
| Packing unit | 1 pc |
| Minimum order quantity | 1 pc |
| Note | Made to Order (non-returnable) |
| Sales Key | NULL |
| Product Key | ABNAAD |
| GTIN | 4046356500548 |
| Weight per Piece (including packing) | 10.5 g |
| Weight per Piece (excluding packing) | 10.5 g |
| Customs tariff number | 85366990 |
| Country of origin | CH |

VS-08-RJ45-5-Q/IP20 TIA568A - RJ45 connector



1417016

<https://www.phoenixcontact.com/us/products/1417016>

Technical Data

Product properties

| | |
|----------------------|----------|
| Number of positions | 8 |
| Connection profile | RJ45 |
| No. of cable outlets | 1 |
| Cable outlet | straight |

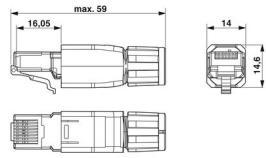
Insulation characteristics

| | |
|----------------------|---|
| Overvoltage category | I |
| Degree of pollution | 1 |

Electrical properties

| | |
|---|--|
| Rated voltage (III/3) | 72 V (DC) |
| Rated current | 1.75 A |
| Contact resistance | 0.001 Ω (Wire – IDC) 0.005 Ω (Litz wires – IDC) |
| Transmission characteristics (category) | CAT5 (IEC 11801:2002) |

Dimensions

| | |
|---------------------|--|
| Dimensional drawing |  |
| Width | 14 mm |
| Height | 14.6 mm |
| Length | 59 mm |

Material specifications

| | |
|--|-------------------------|
| Color | traffic grey A RAL 7042 |
| Material | Plastic |
| Flammability rating according to UL 94 | V0 |
| Contact material | CuSn |
| Contact surface material | Au/Ni |
| Housing material | PA |

Cable/line

| | |
|-----------------------------|-----------------|
| External cable diameter () | 4.5 mm ... 8 mm |
|-----------------------------|-----------------|

Environmental and real-life conditions

Ambient conditions

VS-08-RJ45-5-Q/IP20 TIA568A - RJ45 connector



1417016

<https://www.phoenixcontact.com/us/products/1417016>

| | |
|----------------------|------|
| Degree of protection | IP20 |
|----------------------|------|

Mounting

| | |
|-------------------|---------------------|
| Connection method | IDC fast connection |
|-------------------|---------------------|

VS-08-RJ45-5-Q/IP20 TIA568A - RJ45 connector

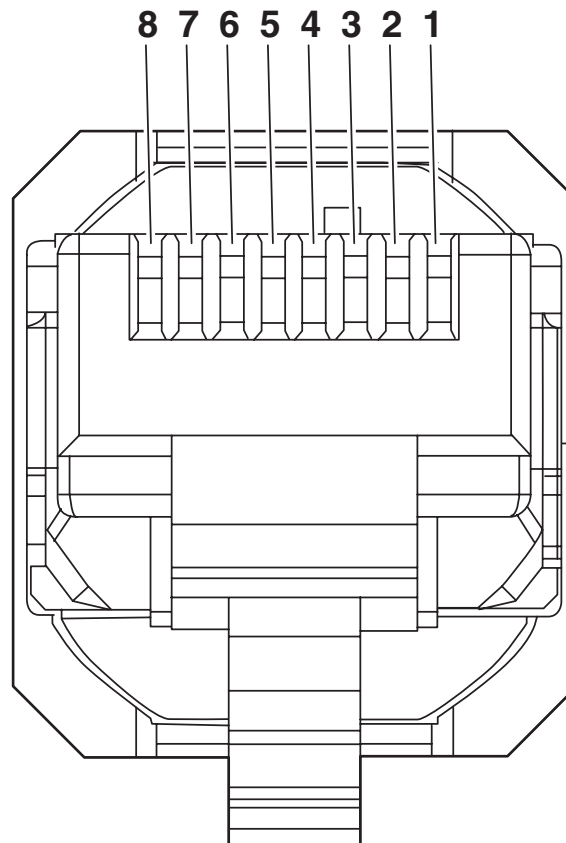
1417016

<https://www.phoenixcontact.com/us/products/1417016>



Drawings

Schematic diagram



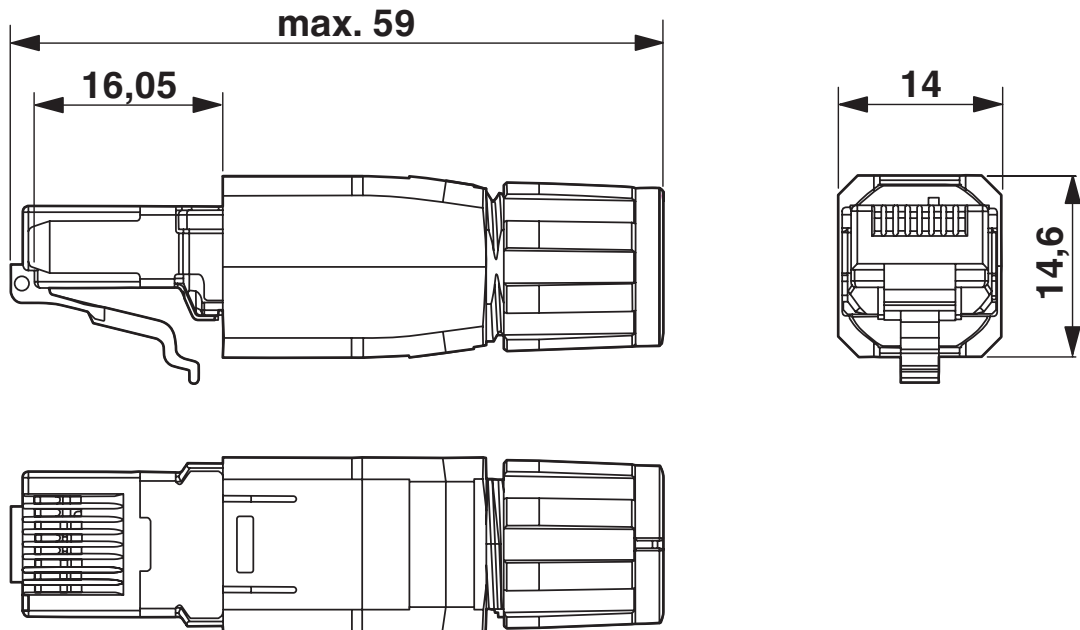
VS-08-RJ45-5-Q/IP20 TIA568A - RJ45 connector

1417016

<https://www.phoenixcontact.com/us/products/1417016>



Dimensional drawing



RJ45 connector, IP20

VS-08-RJ45-5-Q/IP20 TIA568A - RJ45 connector



1417016

<https://www.phoenixcontact.com/us/products/1417016>

Classifications

ETIM

ETIM 7.0

EC002636

UNSPSC

UNSPSC 21.0

39121409

VS-08-RJ45-5-Q/IP20 TIA568A - RJ45 connector



1417016

<https://www.phoenixcontact.com/us/products/1417016>

Environmental Product Compliance

| | |
|------------|---|
| China RoHS | Environmentally friendly use period: unlimited = EFUP-e |
| | No hazardous substances above threshold values |

VS-08-RJ45-5-Q/IP20 TIA568A - RJ45 connector

1417016

<https://www.phoenixcontact.com/us/products/1417016>



Accessories

VS-CABLE-STRIP-VARIO - Stripping tool

1657407

<https://www.phoenixcontact.com/us/products/1657407>

Stripping tool, for the multi-level stripping of shielded cables



Phoenix Contact 2023 © - all rights reserved
<https://www.phoenixcontact.com>

Phoenix Contact USA
586 Fulling Mill Road
Middletown, PA 17057, United States
(+717) 944-1300
info@phoenixcon.com