



## Plastic Hinge for 20x20 Aluminum Extrusion

PRODUCT ID: 1215

IN STOCK

1

ADD TO CART

1-9

10-99

100+

ADD TO WISHLIST

DESCRIPTION

TECHNICAL DETAILS

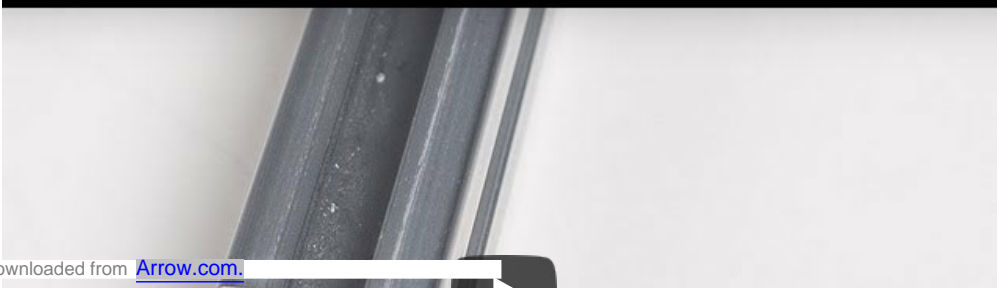


## DESCRIPTION

Get swinging with this handy plastic hinge, attach it to your 20mm extrusion and you can have parts that swing open 180 degrees. Using our button screws, the bumpy heads make it close around ~170 degrees, you can substitute countersink screws if you want a full 180.

You'll also want to get some **10mm long screws** to attach it!

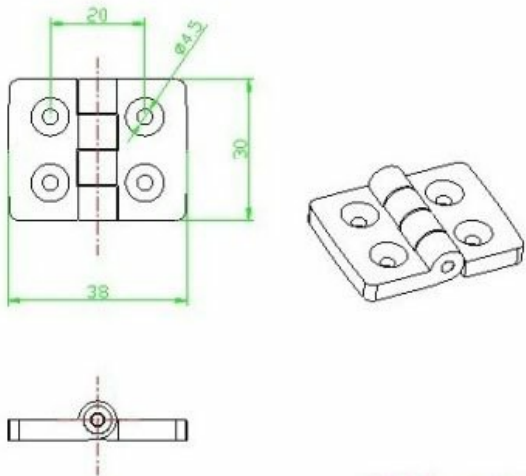
New Products 1/26/2013



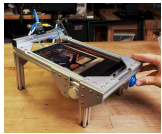


Plastic Hinge for 20x20 Aluminum Extrusion (8:30)

## TECHNICAL DETAILS



## LEARN



### Mini Pinball Table with Gemma M0

Use CircuitPython and the Gemma M0 to control iPad pinball built into an extruded aluminum mini table!

## MAY WE ALSO SUGGEST...



Adjustable Angle Support



T-Plate for 2020 Aluminum



Cross-Plate for 2020



Aluminum Extrusion Slim T-



Allen Wrench (Hex Key) -



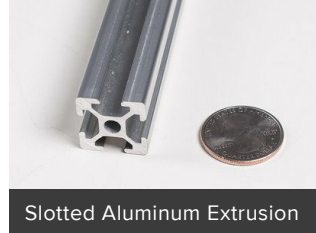
L-Plate for 2020 Aluminum



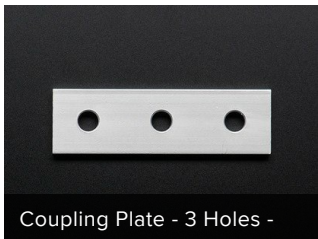
Coupling Plate - 2 Holes -



Aluminum Extrusion Corner



Slotted Aluminum Extrusion



Coupling Plate - 3 Holes -



Aluminum Extrusion Oval T-



Aluminum Extrusion End

## DISTRIBUTORS [EXPAND TO SEE DISTRIBUTORS](#)

[CONTACT](#)

[SUPPORT](#)

[DISTRIBUTORS](#)

[EDUCATORS](#)

[JOBS](#)

[FAQ](#)

[SHIPPING & RETURNS](#)

[TERMS OF SERVICE](#)

[PRIVACY & LEGAL](#)

[ABOUT US](#)

*"Calculation and reasoning, like weaving and ploughing, are work, not for human souls, but for clever combinations of iron and wood" -*

**Mary Boole**

ENGINEERED IN NYC [Adafruit](#)®



4.9 ★★★★★  
Google  
Customer Reviews