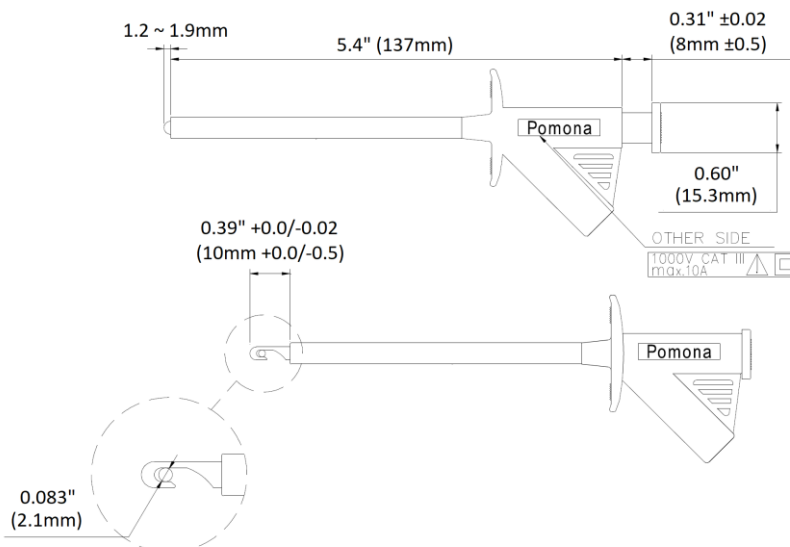


Model 5911B Maxigrabber® Test Clip Set with Hook



Features

- Maxigrabber® test clip has been redesigned to meet the latest IEC 61010-031 international safety standard for test accessories.
- The long shaft is ideal for electronic, electrical and industrial applications where access to hard to reach high voltage test points is a requirement.
- The hook tip is stainless steel for tip durability.
- Safety sheathed jack mates to Pomona's 5907A, 5908A and 5909A flexible test leads for interfacing with digital multi-meters.

Materials

Hook:	Stainless Steel
Plunger, Housing:	Polypropylene; Color: one black, one red
Banana Jack:	Brass, Nickel Plated
Compression Spring:	Piano Wire

Ratings

Voltage: IEC 61010-031 CAT III 1000V
Current: 10 A

Ordering Information

Model 5911B (Includes set of one black and one red)
The Maxigrabber® Test Clip is also available in various Pomona DMM Test Lead Kits.



USA: Sales: 800-490-2361
Technical Support: technicalsupport@pomonatest.com
Fax: 425-446-5844
Europe: 31-(0) 40 2675 150 **International:** 425-446-5500
Where to Buy: www.pomonaelectronics.com

All dimensions are in inches. Tolerances (except noted): .xx = ±.02" (.51 mm), .xxx = ±.005" (.127 mm). All specifications are to the latest revisions. Specifications are subject to change without notice. Registered trademarks are the property of their respective companies.