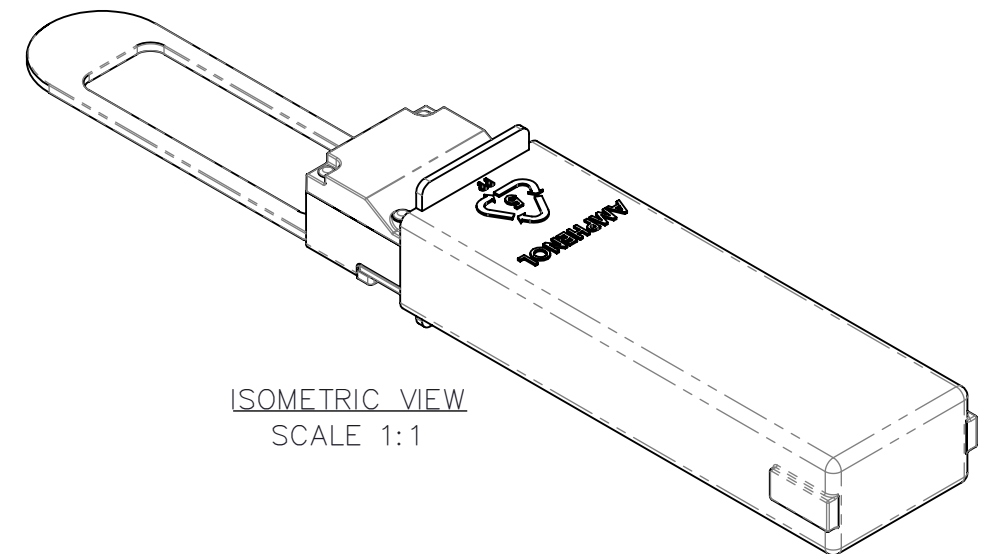
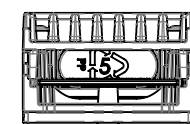
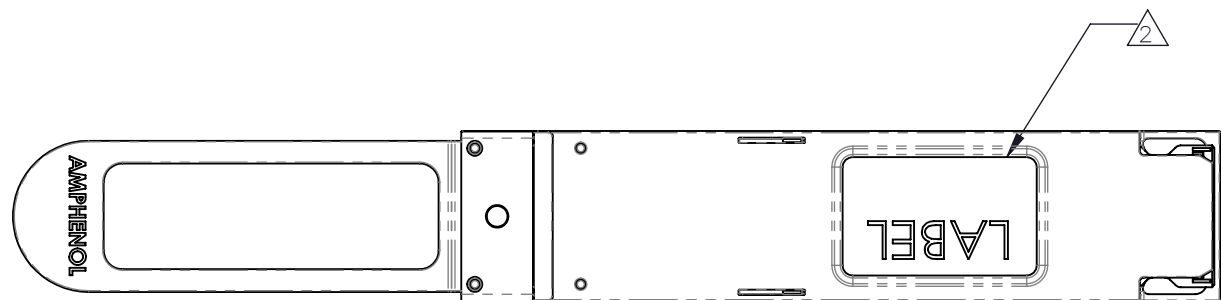
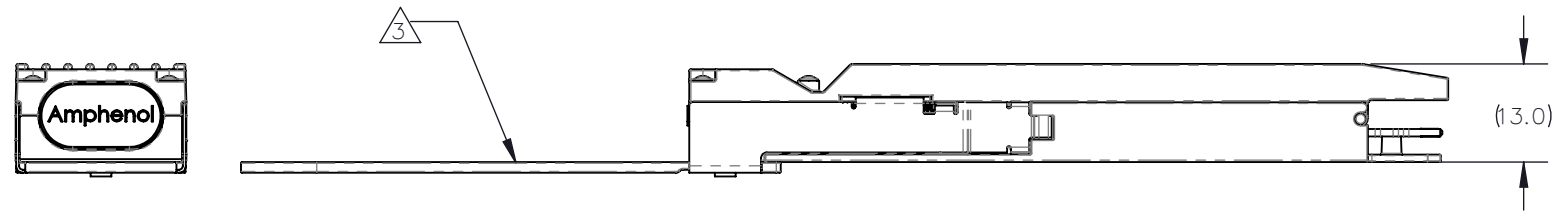
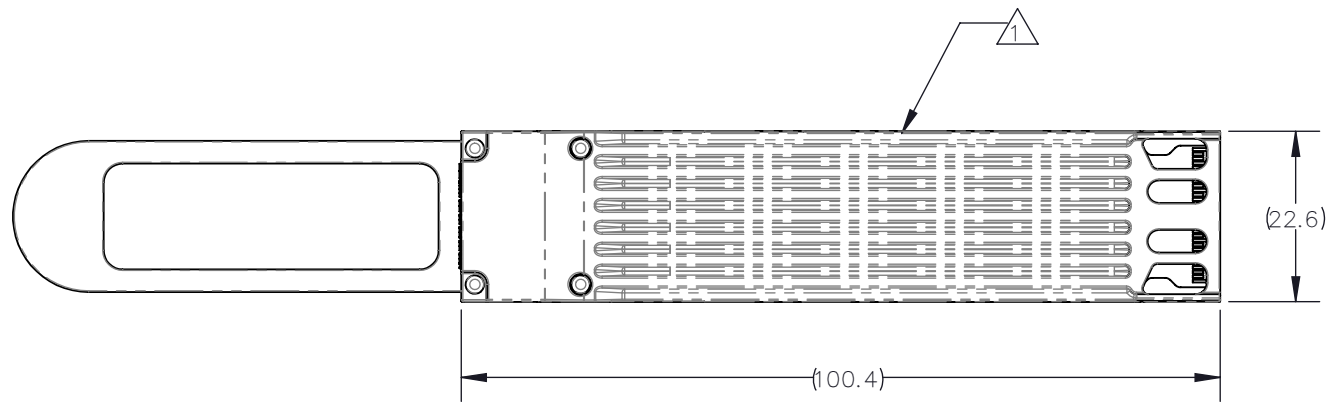


| TABLE 1 | | |
|-------------|--------------------|---------------------------|
| AHSP P/N | ACD P/N | DESCRIPTION |
| NLMAMB-C101 | SF-NLMAMB0001-0001 | OSFP LOOPBACK PASSIVE 0dB |

| REVISIONS | | | | | | |
|-----------|-----|---------------|---|--------|------------|-----------|
| ZONE | REV | ECN | DESCRIPTION | BY | DATE | APPROVED |
| ALL | A | MKHN-18121401 | NEW RELEASE | HCL-PB | 12/26/2018 | M.HUSSAIN |
| | B | RGAO-20122401 | CHANGED 'TABLE 1' TO 'TABLE 2'. ADDED TABLE 1 TO ZONE D8. CHANGED THE TITLE BAR 'NLMAMB-C101' TO 'SEE TABLE 1'. | N.ZENG | 12/24/2020 | Y.CHEN |
| | C | RGAO-21020304 | ADDED DESCRIPTION COLUMN TO TABLE 1. | N.ZENG | 2/4/2021 | Y.CHEN |

| TABLE 2 | |
|----------|--|
| ITEM No. | DESCRIPTION |
| 1 | PLUG OSFP REFERENCE OSFP MSA |
| 2 | LABEL, PLUG - AHSP P/N, REV, DATE CODE, CoO, 0dB, 0W & SERIAL NUMBER |
| 3 | LANYARD, UL 94V-0 |



- NOTES:
- THIS DRAWING IS RESERVED FOR AMPHENOL CABLES ON DEMAND.
 - ASSEMBLIES SHALL BE COMPLIANT TO OSFP MSA (APPENDIX X) SPECIFICATION.
 - EPROM CONTENT SHALL BE COMPLIANT WITH OSFP MSA SPECIFICATIONS FOR XXGB ASE-OSFP. EPROM REVISION IS EQUAL TO CUSTOMER PART NUMBER REVISION UNLESS OTHERWISE NOTED.
 - MODULE ASSEMBLIES MUST MEET SHIELDING EFFECTIVENESS REQUIREMENTS OF 35dB FROM 1-10GHz AND 30dB FROM 10-18GHz.

| TOLERANCES | DWN | 12/14/2018 |
|---|--------|-----------------|
| 0.0 | ± 0.1 | M.HUSSAIN |
| 0.00 | ± 0.08 | CHK 12/14/2018 |
| 0.000 | ± - | M.HUSSAIN |
| ANGLES | ± 1.0° | APVD 12/14/2018 |
| UNLESS OTHERWISE SPECIFIED DIMENSIONS ARE IN MM | | |

Amphenol AHSP
 A Division of Amphenol Corporation
 200 Innovative Way, Suite 201, Nashua, N.H. 03062 (603) 879-3000

TITLE: LOOPBACK, OSFP PASSIVE

PART NO. SEE TABLE 1 REV N/A

DRAWING NO. C-NLMAMB-C101 REV C

SIZE B SCALE 1:1 SHEET 1 OF 1

INTERPRET PER ASME Y14.5

CODE IDENT 31413

CUSTOMER USE DRAWING

DWG NO. C-NLMAMB-C101 SH 1 REV C