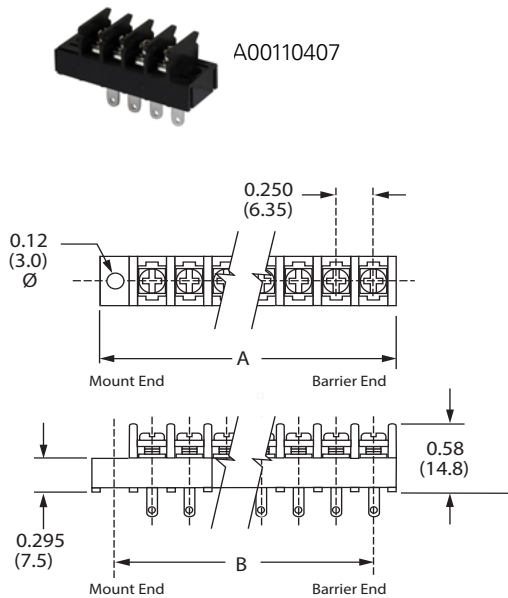


# Single Row Terminal Blocks

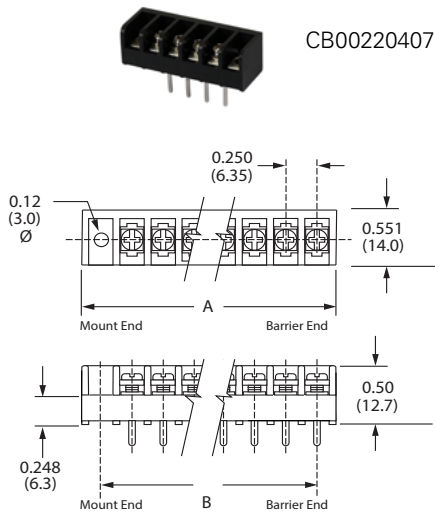
## A0 & CB0

### Dimensions- Inches (Millimeters)

#### A0



#### CB0



### Specifications

**Rating:** 10 A, 300 V

**Center Spacing:** 0.25" (6.35 mm)

**Wire Range:** #16-30 AWG

**Screw Size:** M3.0 nickel-plated steel SEMS

**Torque Rating:** 10 lb-in.

**Recommended PCB Hole Diameter:** 1.6 mm - 1.8 mm

**Operating Temperature:** -40 °C to +120 °C

**Body Material:** Polyamide 66, UL94 V-0, Black

**Terminal Material:** Brass, tin plated

**Breakdown Voltage:** 2000 V

**Agency Information:** UL file E62622

Poles	MOUNTING ENDS		BARRIER ENDS	
	A Length	B Mount Centers	A Length	B End Pole Centers
02	1.04	0.79	0.54	0.25
03	1.29	1.04	0.79	0.50
04	1.54	1.29	1.04	0.75
05	1.79	1.54	1.29	1.00
06	2.04	1.79	1.54	1.25
07	2.29	2.04	1.79	1.50
08	2.54	2.29	2.04	1.75
09	2.79	2.54	2.29	2.00
10	3.04	2.79	2.54	2.25
11	3.29	3.04	2.79	2.50
12	3.54	3.29	3.04	2.75
13	3.79	3.54	3.29	3.00
14	4.04	3.79	3.54	3.25
15	4.29	4.04	3.79	3.50
16	4.54	4.29	4.04	3.75
17	4.79	4.54	4.29	4.00
18	5.04	4.79	4.54	4.25
19	5.29	5.04	4.79	4.50
20	5.54	5.29	5.04	4.75
21	5.79	5.54	5.29	5.00
22	6.04	5.79	5.54	5.25
23	6.29	6.04	5.79	5.50
24	6.54	6.29	6.04	5.75
25	6.79	6.54	6.29	6.00
26	7.04	6.79	6.54	6.25
27	7.29	7.04	6.79	6.50
28	7.54	7.29	7.04	6.75
29	7.79	7.54	7.29	7.00
30	8.04	7.79	7.54	7.25

Dimensions in inches. To convert to millimeters, multiply by 25.4.

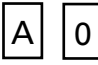
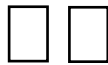
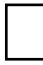

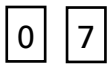


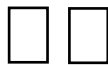
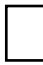

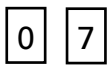



Powering Business Worldwide

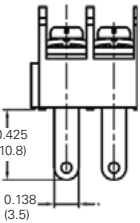
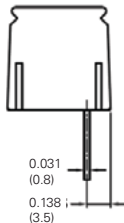
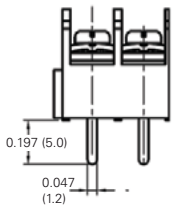
**A0 & CB0**

Single Row Terminal Blocks

**Part Numbering System**

Family	Terminal Style	Base/End	Poles	Screw Options	Options
 <b>A0</b> - standard barrier	 <b>01</b> - handwired <b>02</b> - printed circuit	 <b>1</b> - mount end <b>2</b> - barrier end	 <b>02 to 30</b>	 <b>07</b> - steel SEMS fully seated	 <b>C1 to C8</b> - 0.110" QC <b>L1 to L6</b> marking options (pg 25) <b>Covers</b> - (pg 26)
 <b>CB0</b> - closed back	 <b>02</b> - printed circuit <b>04</b> - wire wrap tail	 <b>1</b> - mount end <b>2</b> - barrier end	 <b>02 to 30</b>	 <b>07</b> - steel SEMS fully seated	 <b>C1 to C8</b> - 0.110" QC <b>L1 to L6</b> marking options (pg 25)

**Terminal Styles-** Inches(Millimeters)

 <b>01</b> Handwired	 <b>02</b> Circuit Board	 <b>04</b> Wire Wrap Tail
---	--	---

**Screw Options**

(Bulk ordering part numbers are in parentheses)

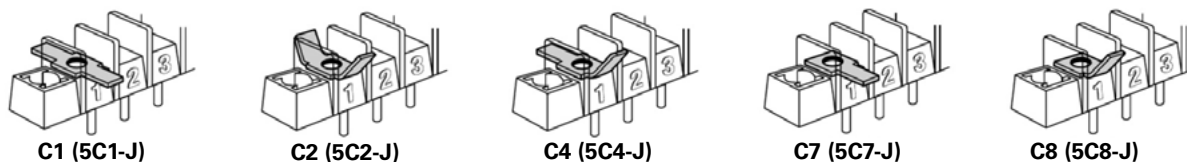


**07**  
Steel SEMS nickel-plated (ACB0-SC)

**Hardware Options**

(Bulk ordering part numbers are in parentheses)

**Quick Connects** Blade Width 0.110" (For other orientations, contact factory)



## Tools & resources

- [Webpage](#)
- [Terminal block selector tool](#)
- [Terminal block cross reference](#)
- [Contact us](#)

**Eaton**  
**Electronics Division**  
1000 Eaton Boulevard  
Cleveland, OH 44122  
United States  
[Eaton.com/electronics](http://Eaton.com/electronics)

© 2020 Eaton  
All Rights Reserved  
Printed in USA  
Publication No. 10682  
June 2020

Eaton is a registered trademark.

All other trademarks are property  
of their respective owners.

Follow us on social media to get the  
latest product and support information.

