

POWR-GARD® Blocks & Holders

LSCR SERIES HIGH-SPEED FUSE BLOCKS

700 V • 1000 V • 1500 V



Description

Littelfuse LSCR series is a comprehensive line of modular fuse blocks, designed to accommodate a wide range of high-speed and UL power fuses. These LSCR series blocks have a modular stud-type design that enables easy mounting in panel boards.

Features/Benefits

- Modular design reduces inventory requirements
- Sold in pairs for convenience
- Supplied with nut and Belleville washer

Specifications

Voltage Rating	700 V / 1000 V / 1500 V
Ampere Rating	400 A, 800 A and 1200 A
Withstand Rating	200 kA / 250 kA
Approvals	UL Recognized (File: E14721) cURus Recognized (E14721) CSA Certified (File: 73160)
Material Base	Molded phenolic or thermoplastic
Terminal Construction	Steel, zinc-plated
Flammability Rating	UL 94 V-0
Environmental	RoHS compliant
Country of Origin	LSCR0xx - China LSCR1xx - USA

Web Resources

For more information, visit: Littelfuse.com/LSCR

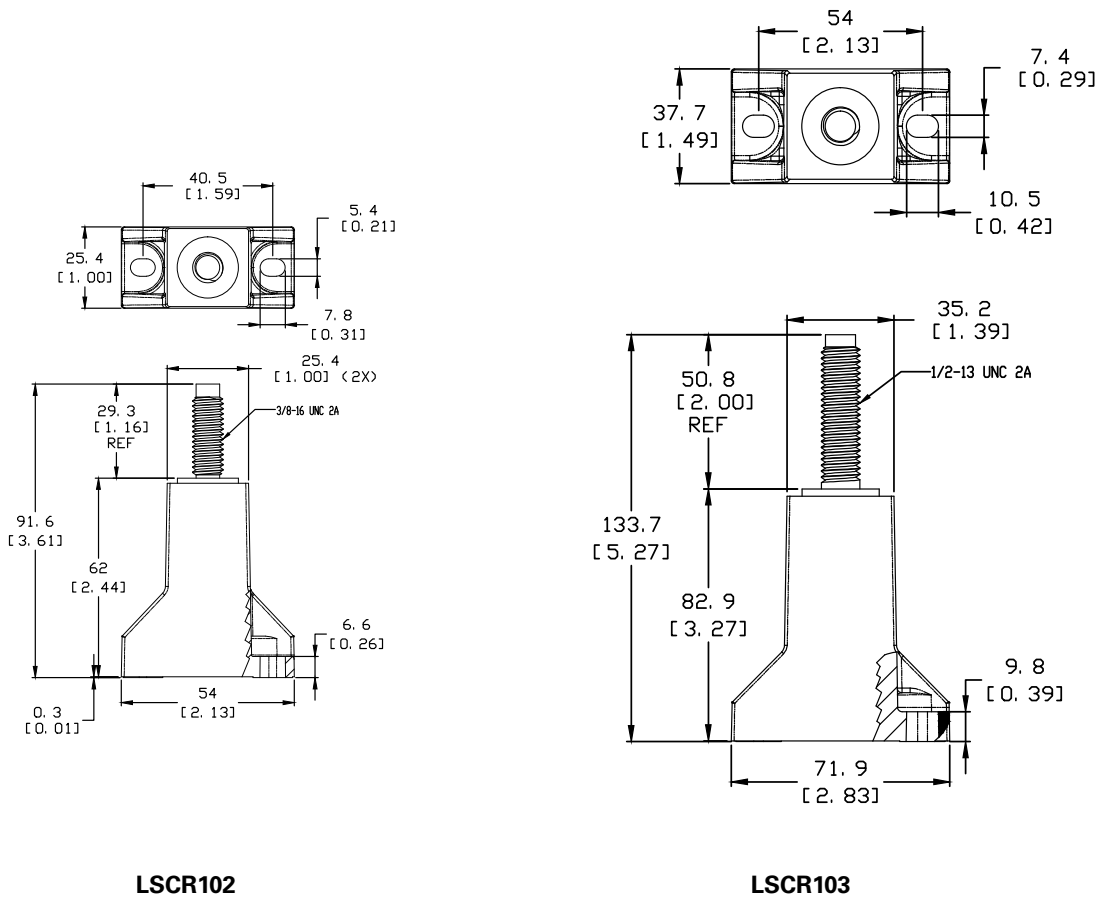
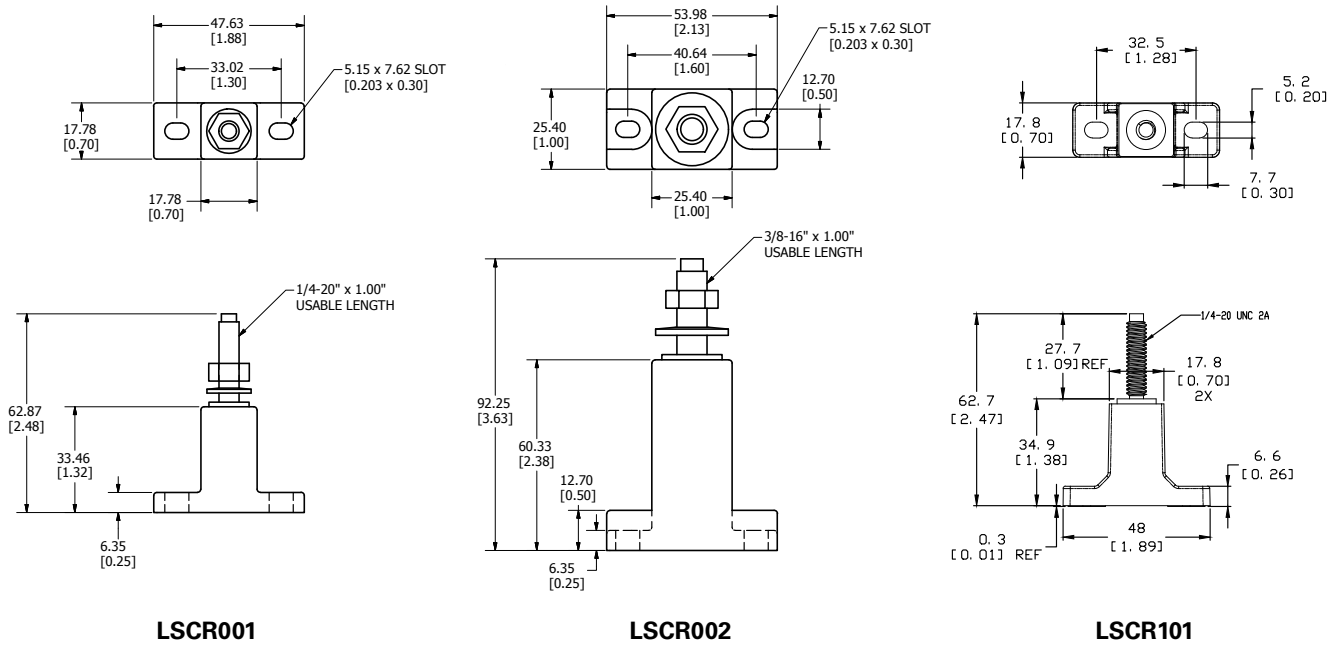
Electrical & Mechanical Specifications

CATALOG/ ORDERING NUMBER	AMPERE RATING	VOLTAGE RATING		INTERRUPTING RATING		INSULATOR		SUGGESTED STUD TORQUE		MOUNTING FASTENER SIZE	SUGGESTED FASTENER TORQUE		AGENCY APPROVALS		
		AC	DC	AC	DC	MATERIAL	MAX. BASE TEMPERATURE	(in.lbs)	(N•m)		(in.lbs)	(N•m)	UR	cURus	CSA
LSCR001	400 A	700 V	1500 V	200 kA	250 kA	Molded Phenolic	150 °C (302 °F)	61	6.8	#10	20–25	2.3–2.8	•		•
LSCR002	800 A	700 V	1500 V	200 kA	250 kA	Molded Phenolic	150 °C (302 °F)	192	21.6	#10	20–25	2.3–2.8	•		•
LSCR101	400 A	1000 V	1000 V	200 kA	200 kA	Thermoplastic	125 °C (257 °F)	67.5–82.5	7.6–9.3	#10	12 max	1.3 max		•	
LSCR102	800 A	1000 V	1000 V	200 kA	200 kA	Thermoplastic	125 °C (257 °F)	207–253	23.4–28.6	#10	12 max	1.3 max		•	
LSCR103	1200 A	1000 V	1000 V	200 kA	200 kA	Thermoplastic	125 °C (257 °F)	270–330	30.5–37.3	¼"	12 max	1.3 max		•	

POWR-GARD® Blocks & Holders

LSCR SERIES HIGH-SPEED FUSE BLOCKS

Dimensions mm (inches)



POWR-GARD® Blocks & Holders

LSCR SERIES HIGH-SPEED FUSE BLOCKS

High-Speed Fuse Block Selection Guide

FUSE SERIES	CATALOG NUMBER	LSCR001	LSCR002	LSCR101	LSCR102	LSCR103
	TERMINAL SIZE	1/4-20 UNC	3/8-16 UNC	1/4-20 UNC	3/8-16 UNC	1/2-13 UNC
	VOLTAGE RATING	700 V ac/1500 V dc	700 V ac/1500 V dc	1000 V ac/dc	1000 V ac/dc	1000 V ac/dc
	AMPERE RATING	400 A	800 A	400 A	800 A	1200 A
L15S	70-400	X		X		
	500-800		X		X	
L17T	70-250	X		X		
	300-800		X		X	
L25S	35-200	X		X		
	225-800		X		X	
L50S	35-200	X		X		
	225-800		X		X	
L50QS	700-800					X
	35-200	X		X		
	225-800		X		X	
L60S	700-800					X
	35-200	X		X		
	225-800		X		X	
KLC	700-800					X
	35-60	X		X		
	70-800		X		X	
L70S	70-800					X
	35-100	X		X		
	125-800		X		X	
L70QS	450-800					X
	35-100	X		X		
	125-800		X		X	
JLLN	450-800					X
	70-200	X		X		
JLLS	225-800		X		X	
	900-1200					X
JLS	70-200	X		X		
	225-800		X		X	
	900-1200					X
SPFJ	70-100	X		X		
	110-200	X		X		
	225-400		X		X	
L75QS	450-600		X		X	
	70-100	X		X		
	125-200	X		X		
L75QS	250-400		X		X	
	450					X
	35-100	X		X		
L75QS	125-800		X		X	
	450-800					X

High-Speed Fuse Block Selection Guide

FUSE SERIES	CATALOG NUMBER	LSCR001	LSCR002	LSCR101	LSCR102	LSCR103
	TERMINAL SIZE	1/4–20 UNC	3/8–16 UNC	1/4–20 UNC	3/8–16 UNC	1/2–13 UNC
	VOLTAGE RATING	700 V ac/1500 V dc	700 V ac/1500 V dc	1000 V ac/dc	1000 V ac/dc	1000 V ac/dc
	AMPERE RATING	400 A	800 A	400 A	800 A	1200 A
ESR1XLDB	125		X			
ESR1XLUB	125					X
EV1K	60–125	X				
EV1K	150–600		X			
PSR030DL	40–550		X			
PSR030DS	40–550		X			
PSR030UL	40–550		X			
PSR030US	40–550		X			
PSR031DL	200–800		X			
PSR031DS	200–800		X			
PSR031UL	200–800					X
PSR031US	200–800					X
PSR032DL	400–800		X			
PSR032DS	400–800		X			
PSR032UL	400–1100					X
PSR032US	400–1100					X
PSR033DL	450–800		X			
PSR033DS	450–800		X			
PSR070DL	50–315		X		X	
PSR070UL	50–315		X		X	
PSR071DL	160–450		X		X	
PSR071UL	160–450					X
PSR072DL	250–630		X		X	
PSR072UL	250–630					X
PSR073DL	315–700		X		X	
PSX1XLDB	80–700		X			
PSX1XLUB	80–700					X
PSX3XLDB	450–630		X			

Disclaimer Notice – Information furnished is believed to be accurate and reliable. However, users should independently evaluate the suitability of and test each product selected for their own applications. Littelfuse products are not designed for, and may not be used in, all applications. Read complete Disclaimer Notice at www.littelfuse.com/product-disclaimer.