

# DXP18BN7514T#

“#” indicates a package specification code.



## < List of part numbers with package codes >

DXP18BN7514TB      DXP18BN7514TL

## Applications

Unsuitable Applications	Please be sure to read and comply with these "Precautions for use."
Specific Applications	Consumer equipment, Medical equipment [GHTF A/B/C] except for implant & operation & auto-dispenser equipment, Industrial equipment except for transportation & facility & energy equipment Please refer to Our Website and specifications, etc. for information about the performance, functions, quality, management, and safety required for the above applications, and use Products after confirming the performance and reliability of the actual Product.
Recommended Applications	Consumer equipment

## Packaging Information

Packaging	Specifications	Standard Packing Quantity
B	Bulk(Bag)	500
L	180mm Embossed Tape	5000

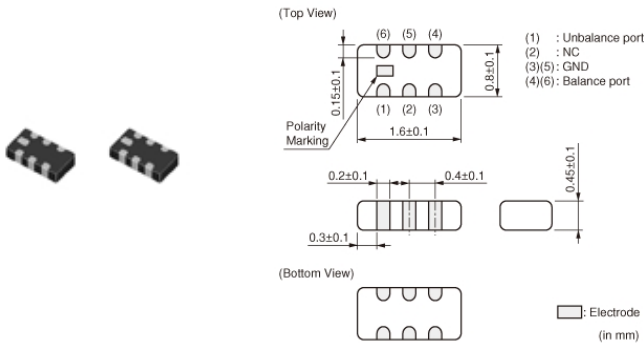
## Features

1. Ultra Miniature Film Transformer
2. Low Insertion Loss
3. Wideband Frequency Range
4. Surface Mount

### Applications

TV tuners, Cable TV tuners and Communication application that require unbalance mode to balance mode conversion.

## Appearance & Shape



### Attention

1. This datasheet is downloaded from the website of Murata Manufacturing Co., Ltd. Therefore, its specifications are subject to change or our products in it may be discontinued without advance notice. Please check with our sales representatives or product engineers before ordering.
2. This datasheet has only typical specifications because there is no space for detailed specifications. Therefore, please review our product specifications or consult the approval sheet for product specifications before ordering.

# DXP18BN7514T#

“#” indicates a package specification code.

## Specifications

Operating Temperature Range	-40°C to 85°C
Frequency Range	50MHz to 870MHz
Insertion Loss	1.5dB max.(at Freq. Range)
Size Code (in mm)	1608
Size Code (in inch)	0603
Length	1.6mm
Length Tolerance	±0.1mm
Width	0.8mm
Width Tolerance	±0.1mm
Thickness	0.45mm
Thickness Tolerance	±0.1mm
Power Rating	20dBm
Port Impedance	75Ω - 300Ω
CMRR(min.)	25dB
Mass(typ.)	0.003g

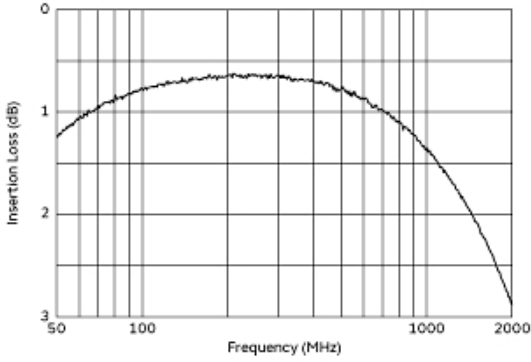
### Attention

- 1.This datasheet is downloaded from the website of Murata Manufacturing Co., Ltd. Therefore, it's specifications are subject to change or our products in it may be discontinued without advance notice. Please check with our sales representatives or product engineers before ordering.
- 2.This datasheet has only typical specifications because there is no space for detailed specifications. Therefore, please review our product specifications or consult the approval sheet for product specifications before ordering.

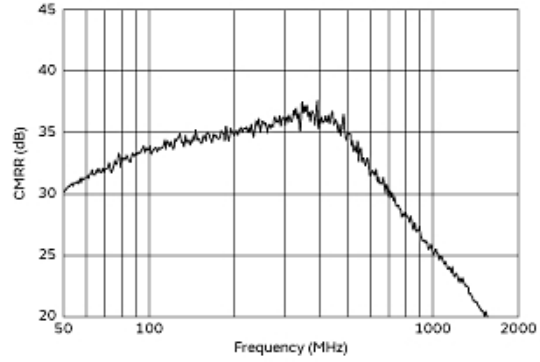
# DXP18BN7514T#

"#" indicates a package specification code.

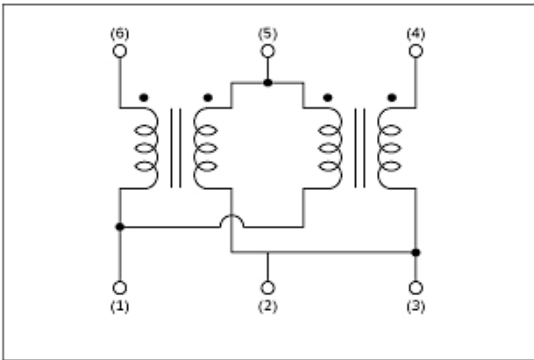
## Product Data



Insertion Loss Characteristics



CMRR Characteristics



Equivalent Circuit

**Attention**

- 1.This datasheet is downloaded from the website of Murata Manufacturing Co., Ltd. Therefore, it's specifications are subject to change or our products in it may be discontinued without advance notice. Please check with our sales representatives or product engineers before ordering.
- 2.This datasheet has only typical specifications because there is no space for detailed specifications. Therefore, please review our product specifications or consult the approval sheet for product specifications before ordering.