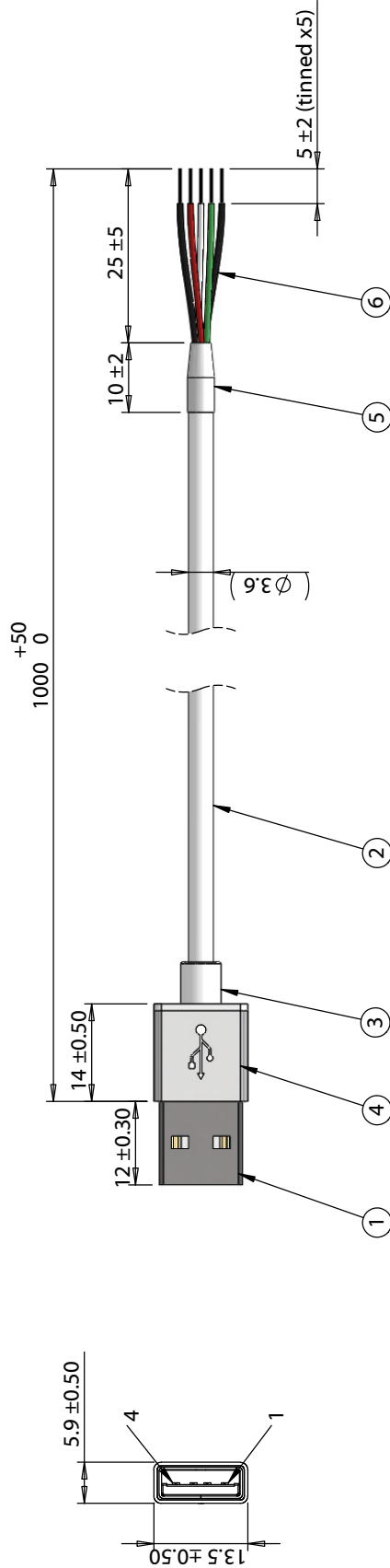


ITEM NO.	PART NUMBER	DESCRIPTION	QTY.	COMPONENT NOTES
1	50-00575	Connector, USB A 2.0 plug, molding style, 180°, nickel plated shell, white insulator	1	
2	30-00099	Wire, 4C, 1PR + 2C, 28 AWG, UL2725, 30V, 80C, 3.6mm, shielded, VW-1, PVC, 79A, USB 2.0, white	1	
3	24-00210	Overmold, plug, USB A, slim design for aluminum shell	1	PVC, white
4	55-00106	USB A plug aluminum shell, 13x13.5x5.9 mm, silver	1	
5	Heat Shrink	Heat shrink tubing, white	1	Covers jacket stripped end
6	Heat Shrink	Heat shrink tubing, black	1	Covers shield and drain



Wiring diagram	
50-00575	Wire Color
1	Red
2	White
3	Green
4	Black
Shell	Drain & Shield

Notes:
Functionally equivalent components may be substituted

Revision:	Date:	Description:	Prepared:	Notes:
A	1/16/2018	Initial release	RoHS compliant	RoHS compliant
			Verified:	Function test: no open, no short circuit, no intermittent
			Dimensions are in millimeters. Tolerances: X: ± 0.5 mm XX: ± 0.3 mm XXX: ± 0.05 mm	Description: Cable, 1000 mm, 50-00575 USB A plug to 5 mm tinned, 28 AWG, 30-00099 wire, white
				Size: Part number: A 10-02352
				Scale: 1:1

TENSILITY

tel 1.541.323.3228 800 877.670.7118
fax 1.541.323.4202 web tensility.com



Sheet 1 of 1