

← BACK TO KNOBS



HD Series

The design of the "HD Model" knob is unmistakably unique. The taller profile of this knob, along with ergonomically designed finger surface, distinguishes its self as a knob that has been specified on 1000's of high-end front panel applications. Partial top and full-length side saw cut indicator line. Two 6-32 set screws.

PART NUMBER BREAK DOWN

EXAMPLE: HD-90-4-7

HD	90	4	7
MODEL	DIAMETER	FINISH	SHAFT SIZE

These letters are the model series name.

This value indicates the outer diameter sizing of the knob.

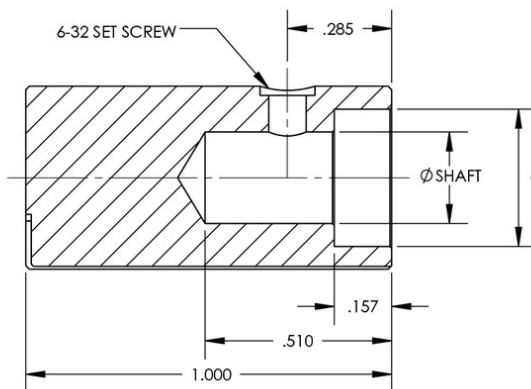
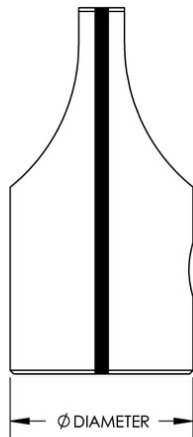
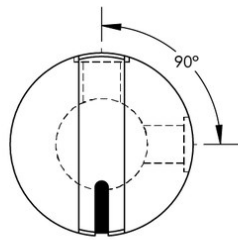
This value indicates the color and finish of the knob.

This value indicates shaft sizing.

- 50 - .500
- 63 - .622
- 75 - .750
- 90 - .990

- 1 - CLEAR GLOSS
- 2 - BLACK GLOSS
- 3 - CLEAR MATTE
- 4 - BLACK MATTE

- 5 - .250
- 6 - .125
- 7 - .2375 (6MM)



ϕ COUNTERBORE
This value automatically determined when diameter is selected.
50 - .375
63 - .500
75 - .590
90 - .708

ROHS & REACH COMPLIANCE

CONFLICT MINERALS COMPLIANCE

SPEC PRINTS

"WE COULD MAKE A REALLY BIG KNOB ... WE JUST CHOOSE NOT TO."

© 2016 KILO INTERNATIONAL