



Project - 0 item(s)

MY PROJECT LIST

The store has encountered a problem processing the last request. Try again later. If the problem persists, contact your site administrator

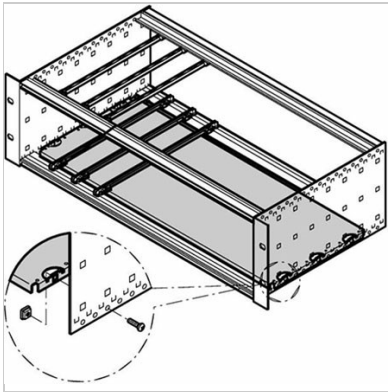


Products ▾ Search

Home > Off-the-shelf mounting plate



Off-the-shelf mounting plate



Catalog Number: 34562-756

[Back To Product](#)

- For assembly of heavy components
- Mounting plate, full width: The mounting plate is as wide as the subrack/system case and is fixed to the side panels
- Mounting plate, partial width: The partial width mounting plate fixed to the side panel by means of an assembly strip

Product family:

- EuropacPRO
- CompacPRO
- RatiopacPRO

Note:

- Please order assembly kit for mounting plate separately
- Other versions on request
- Fixing strips required for partial width, please order separately

Type:

Individual Components

Individual Component Type:

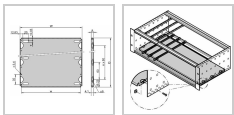
Mounting Plates & Accessories

Description:

Mounting plate



Other Views



Select product specifications before modifying or adding to project list or requesting a quote.

Width-mm-defining

Board-Length-mm-defining

[Clear Selection](#)

Quantity

Add Item to Project List +

Links

Native CAD files

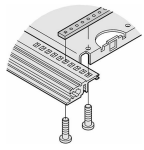
Technical Data

Qty	1 piece
W mm	431.35
w mm	421.64
Board length [mm]	280.0
Material	Al, 1.5 mm
Description	Mounting plate
Description	Al, 1.5 mm; for mounting over partial width, please order fixing strips separately
Width B (HP)	84

Delivery Comprises:

Item	Quantity	Description
1	1	Mounting plate, Al, 1.5 mm

Accessories



Assembly strips for mounting plate

30840-045

[Add Item to Project List +](#)

EXPLORE

- [About Us](#)
- [Services & Capabilities](#)
- [News & Events](#)
- [Newsletter Subscriptions](#)
- [Strategic Partnerships](#)
- [Investor Relations](#)

CONTACT

- [Customer Service](#)
- [Find a Sales Office or Distributor](#)
- [Global Locations](#)
- [Product Compliance & Certifications](#)
- [Partner Login](#)

DOWNLOAD

- [Download Center](#)
- [Reference Projects](#)
- [Videos](#)
- [Product Configurators](#)
- [Warranties and Terms of Sale & Procurement](#)

© 2018 nVent. All rights reserved | [Privacy Policy](#) | [Terms of Use](#) | [Cookie Policy](#) | [Imprint](#) | [Site Map](#)

Connect With Us

