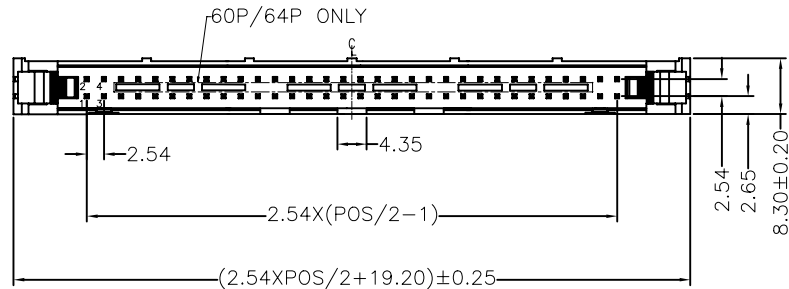


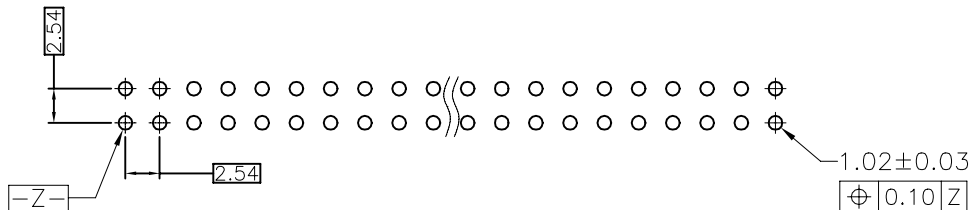
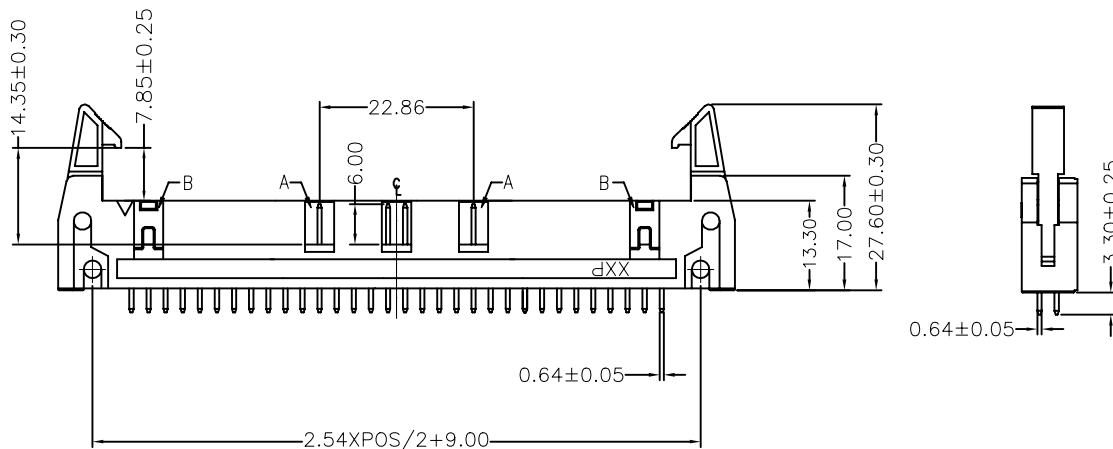
| REVISIONS |               |             |           |            |
|-----------|---------------|-------------|-----------|------------|
| P         | LTR           | DESCRIPTION | DATE      | DRN / APVD |
| B1        | ECR-20-016651 |             | 03DEC2020 | F.F / M.S  |



PRODUCT SPECIFICATION:

- 1.RATED CURRENT: 3.0AMP.
- 2.CONTACT RESISTANCE: 20mΩ MAX.
- 3.WITHSTAND VOLTAGE: 1000V AC/DC
- 4.INSULATION RESISTANCE: 1000MΩ MIN.
- 5.OPERATION TEMPERATURE: -40°C TO +105°C
- 6.CONTACT MATERIAL: COPPER ALLOY
- 7.CONTACT PLATING: 3U" GOLD ON CONTACT AREA/TIN ON TAIL
- 8.INSULATOR MATERIAL: SEE PRODUCT FAMILY TABLE
- 9.RECOMMENDED SOLDERING PROCESS: WAVE SOLDERING, PEAK TEMPERATURE: 255°C

06P-18P WITHOUT SLOT "A" AND "B"  
 20P-58P WITHOUT SLOT "A", WITH SLOT "B"  
 60P-64P WITH SLOT "A" AND "B"



RECOMMENDED P.C.B LAYOUT  
(COMPONENT SIDE)

|           |                          |     |             |
|-----------|--------------------------|-----|-------------|
|           |                          | 64  | 6-2271037-4 |
|           |                          | 60  | 6-2271037-0 |
|           |                          | 50  | 5-2271037-0 |
|           |                          | 44  | 4-2271037-4 |
|           |                          | 40  | 4-2271037-0 |
|           |                          | 36  | 3-2271037-6 |
|           |                          | 34  | 3-2271037-4 |
|           |                          | 30  | 3-2271037-0 |
|           |                          | 26  | 2-2271037-6 |
|           |                          | 24  | 2-2271037-4 |
|           |                          | 22  | 2-2271037-2 |
|           |                          | 20  | 2-2271037-0 |
|           |                          | 18  | 1-2271037-8 |
|           |                          | 16  | 1-2271037-6 |
|           |                          | 14  | 1-2271037-4 |
|           |                          | 12  | 1-2271037-2 |
|           |                          | 10  | 1-2271037-0 |
|           |                          | 8   | 2271037-8   |
| TRAY      | PBT+30%G.F<br>UL94V-0 BK | 6   | 2271037-6   |
| PACKAGING | INSULATING MATERIAL      | POS | PN          |

|  |   |                               |                           |   |       |   |   |       |   |      |       |   |   |       |   |   |                            |  |
|--|---|-------------------------------|---------------------------|---|-------|---|---|-------|---|------|-------|---|---|-------|---|---|----------------------------|--|
| THIS DRAWING IS A CONTROLLED DOCUMENT.   |   | DRN<br>FRANK FAN<br>03DEC2020 |                           |   |       |   |   |       |   |      |       |   |   |       |   |   |                            |  |
| DIMENSIONS: mm   |   | CHK<br>GEORGE FU<br>03DEC2020 |                           |   |       |   |   |       |   |      |       |   |   |       |   |   |                            |  |
| TOLERANCES UNLESS OTHERWISE SPECIFIED:   |   | APVD<br>MING SHI<br>03DEC2020 | NAME                      |   |       |   |   |       |   |      |       |   |   |       |   |   |                            |  |
| <table border="1"> <tr><td>0 PLC</td><td>±</td><td>-</td></tr> <tr><td>1 PLC</td><td>±</td><td>-</td></tr> <tr><td>2 PLC</td><td>±</td><td>0.30</td></tr> <tr><td>3 PLC</td><td>±</td><td>-</td></tr> <tr><td>4 PLC</td><td>±</td><td>-</td></tr> </table> |   | 0 PLC                         | ±                         | - | 1 PLC | ± | - | 2 PLC | ± | 0.30 | 3 PLC | ± | - | 4 PLC | ± | - | PRODUCT SPEC<br>108-137371 | AMP-LOCK, EJECTOR HDR, VERTICAL<br>2.54PITCH, THROUGH HOLE |
| 0 PLC  | ± | -                             |                           |   |       |   |   |       |   |      |       |   |   |       |   |   |                            |  |
| 1 PLC  | ± | -                             |                           |   |       |   |   |       |   |      |       |   |   |       |   |   |                            |  |
| 2 PLC  | ± | 0.30                          |                           |   |       |   |   |       |   |      |       |   |   |       |   |   |                            |  |
| 3 PLC  | ± | -                             |                           |   |       |   |   |       |   |      |       |   |   |       |   |   |                            |  |
| 4 PLC  | ± | -                             |                           |   |       |   |   |       |   |      |       |   |   |       |   |   |                            |  |
| MATERIAL   |   | FINISH                        | RESTRICTED TO             |   |       |   |   |       |   |      |       |   |   |       |   |   |                            |  |
| SEE NOTE   |   | WEIGHT                        | SIZE CAGE CODE DRAWING NO |   |       |   |   |       |   |      |       |   |   |       |   |   |                            |  |
|  |   | CUSTOMER DRAWING              | A2 00779 C-2271037        |   |       |   |   |       |   |      |       |   |   |       |   |   |                            |  |
|  |   | SCALE                         | 1:1 SHEET 1 of 1 REV B1   |   |       |   |   |       |   |      |       |   |   |       |   |   |                            |  |