

Variable & customizable



**RK Monitor Mounting**  
Industry grade with universal or VESA interface

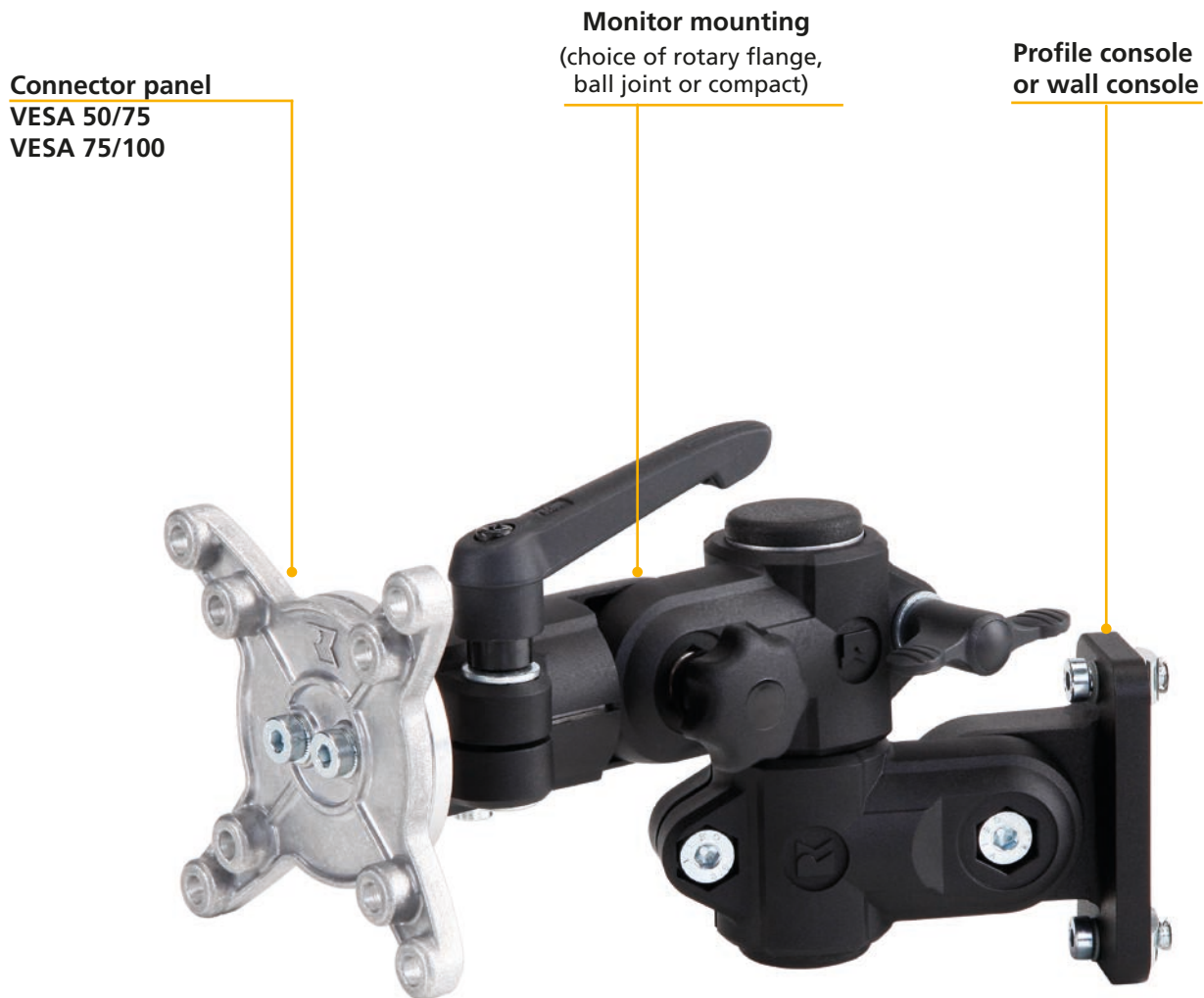
# RK Monitor Mounting

## All purpose mounting for monitors, touch panels and operating units

This mounting for monitors, touch panels and other operating units is flexible, offers many degrees of freedom and thus can be used universally. Due to compatibility to RK Connecting Technology as well to the RK Profile System most different connections are realizable.

### Ideal range of applications:

- ✓ General industrial applications
- ✓ Plants and machines
- ✓ Control centers
- ✓ Ergonomic work stations



**Connector panel**  
VESA 50/75  
VESA 75/100

**Monitor mounting**  
(choice of rotary flange,  
ball joint or compact)

**Profile console  
or wall console**

## Features

- Choice of user-specific or VESA-standard monitor connection
- High-strength materials guarantee a long-term load-bearing capacity of up to 25 kg, for reliable processes
- Highly ergonomic thanks to personalised height adjustment
- Optimum adjustment of the field of vision thanks to side-turning
- rotary flange and ball joint:
  - vibration-proof locking in 15° increments
- compact: fixing principle with half shells (suitable for retrofitting and extensions) reducing bushes available (round or square 20, 25, 30mm)
- Connects to aluminium profile, and thus also to the machine frame using slot stones
- Universal mounting holes facilitate simple wall mounting

## Table of contents

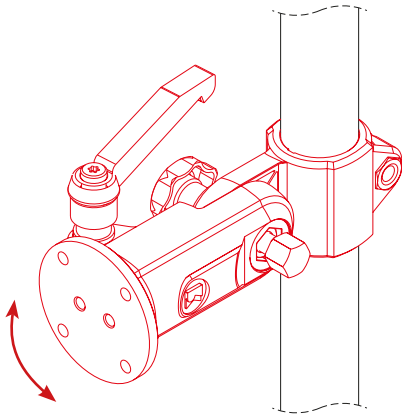
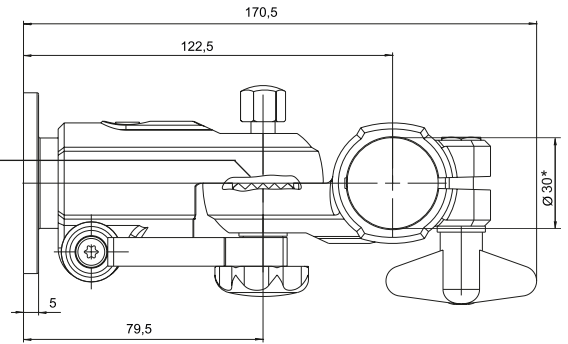
<b>Versions</b>	<ul style="list-style-type: none"> <li>■ Rotary flange monitor mounting ..... S. 4</li> <li>■ Ball joint monitor mounting ..... S. 4</li> <li>■ Monitor mounting compact..... S. 5</li> </ul>
<b>Fixing</b>	<ul style="list-style-type: none"> <li>■ Wall console ..... S. 6</li> <li>■ Profile console..... S. 6</li> <li>■ Support arm single..... S. 7</li> <li>■ Support arm double ..... S. 8</li> <li>■ Support arm double height adjustable. .... S. 9</li> <li>■ Support arm telescope..... S.10</li> <li>■ Support arm telescope height adjustable. ... S. 12</li> </ul>
<b>Modules</b>	<ul style="list-style-type: none"> <li>■ Monitor floor stand adjustable ..... S. 14</li> </ul>
<b>Accessories</b>	<ul style="list-style-type: none"> <li>■ Adaptor plate VESA 50/75 ..... S. 18</li> <li>■ Adaptor plate VESA 75/100 ..... S. 18</li> <li>■ Keyboard tray ..... S. 19</li> <li>■ Tablet holder ..... S. 20</li> <li>■ Lockable steering roller ..... S.21</li> <li>■ Vario-Quick holding block ..... S. 21</li> <li>■ Reducing bushes ..... S. 22</li> <li>■ Reducing inserts ..... S. 22</li> <li>■ Clamping lever ..... S. 23</li> <li>■ Cable straps with velcro..... S. 23</li> </ul>
<b>Applications</b>	<ul style="list-style-type: none"> <li>■ Monitor Mounting ..... S. 24</li> </ul>

# RK Monitor Mounting / Versions

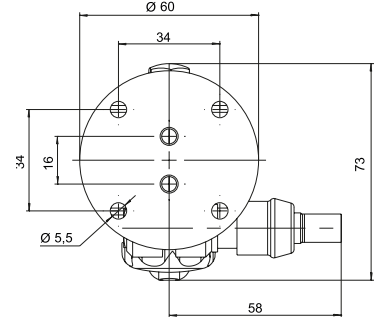
## Rotary flange monitor mounting



Locking in 15° - steps



90°



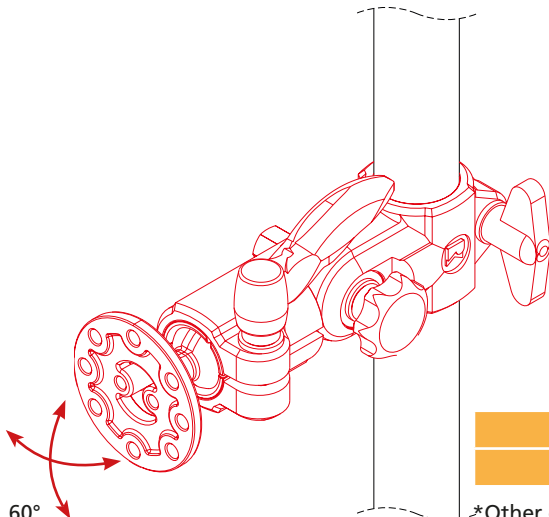
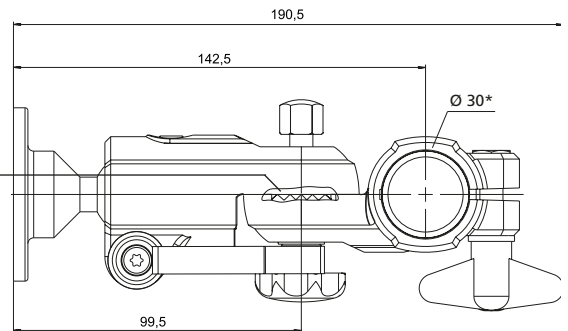
Code No.	Weight	max. load
193000030C11	370 g	25 kg

\*Other cross-sections by reducing bushes (see page Seite 22)

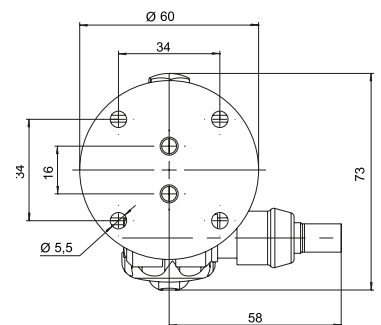
## Ball joint monitor mounting



Locking in 15° - steps



60°

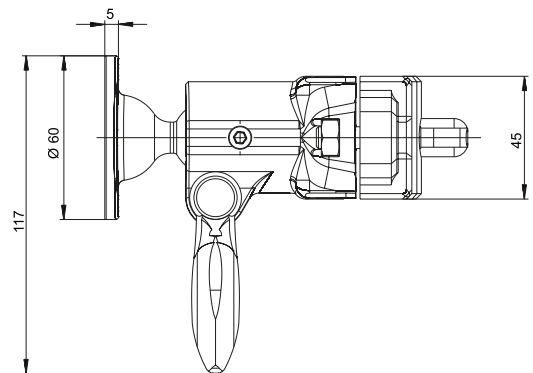
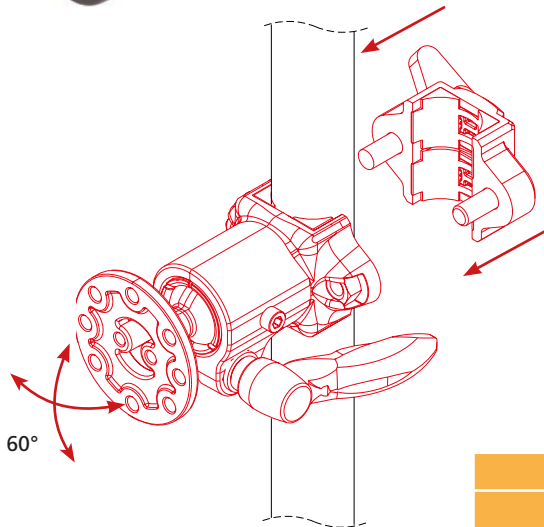
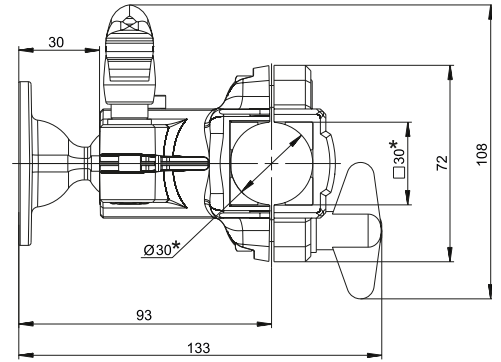
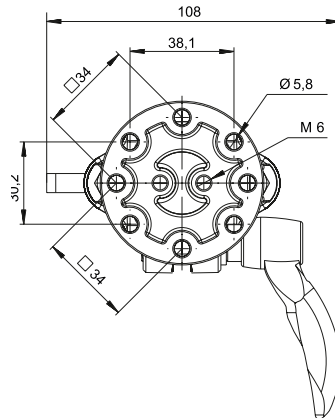


Code No.	Weight	max. load
193000042C11	342 g	10 kg

\*Other cross-sections by reducing bushes (see page Seite 22)



### Monitor mounting compact



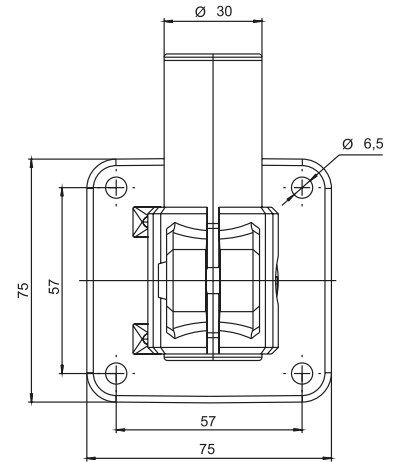
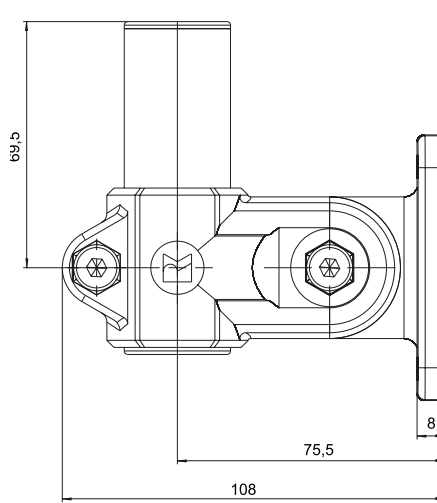
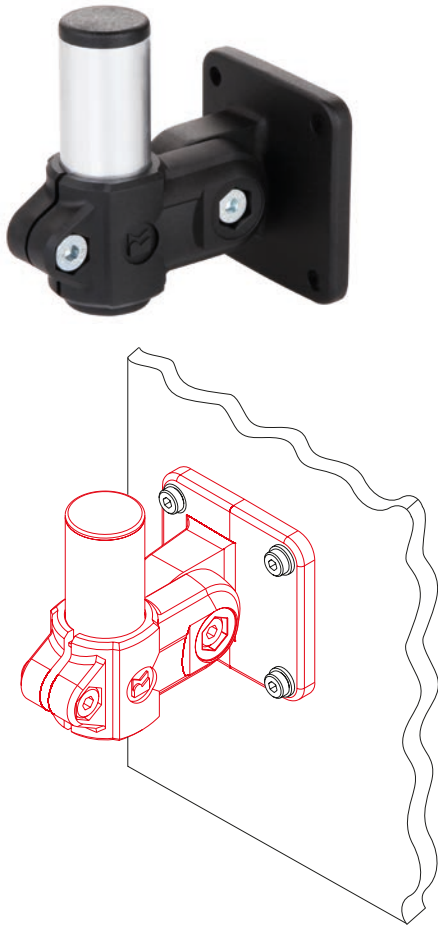
Code No.	Weight	max. load
193000052C11	290 g	10 kg

\*Other cross-sections by reducing inserts (see pageSeite 22)



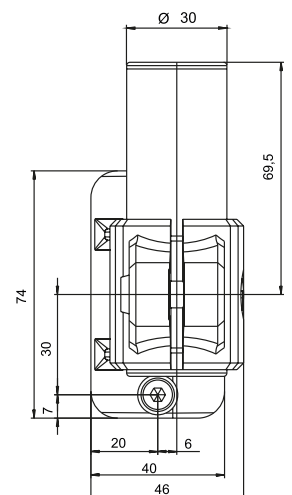
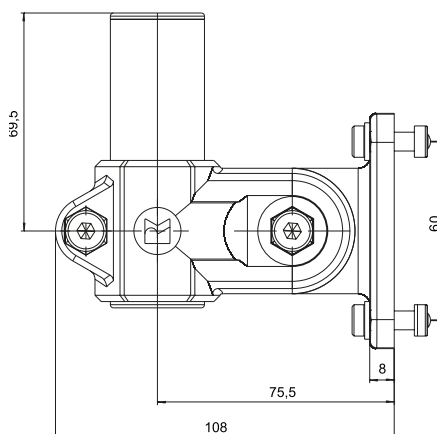
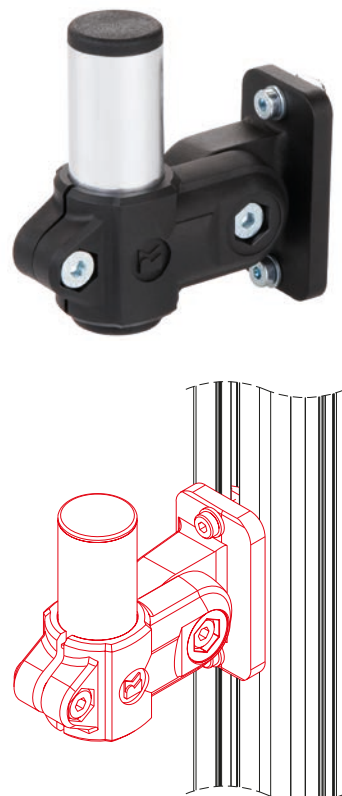
# RK Monitor Mounting / Fixing

## Wall console



Code No.	Weight
193000358C66	306 g

## Profile console



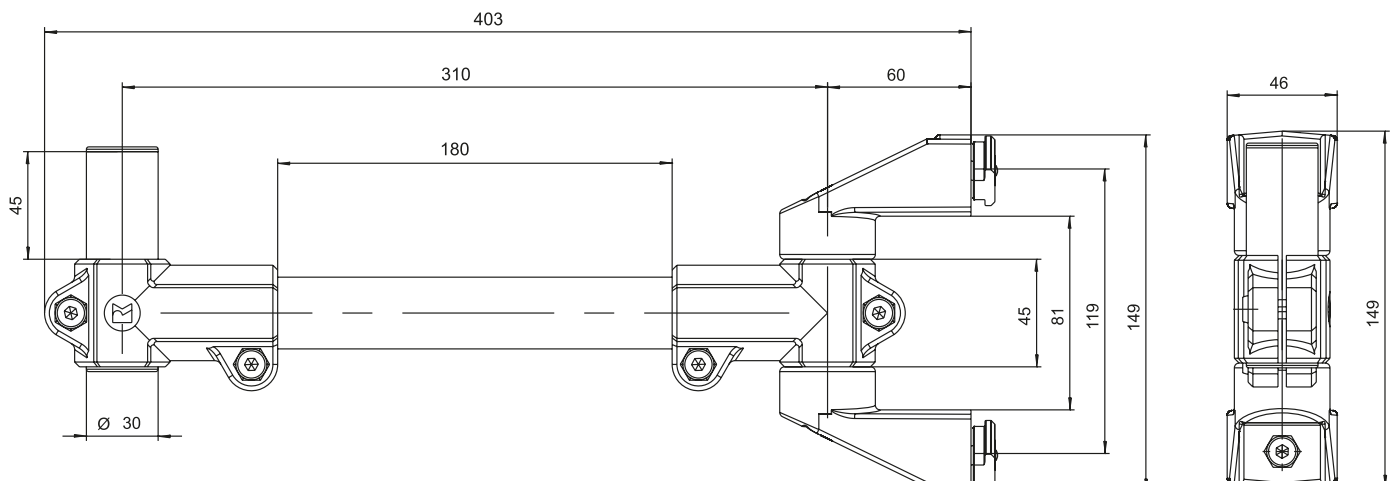
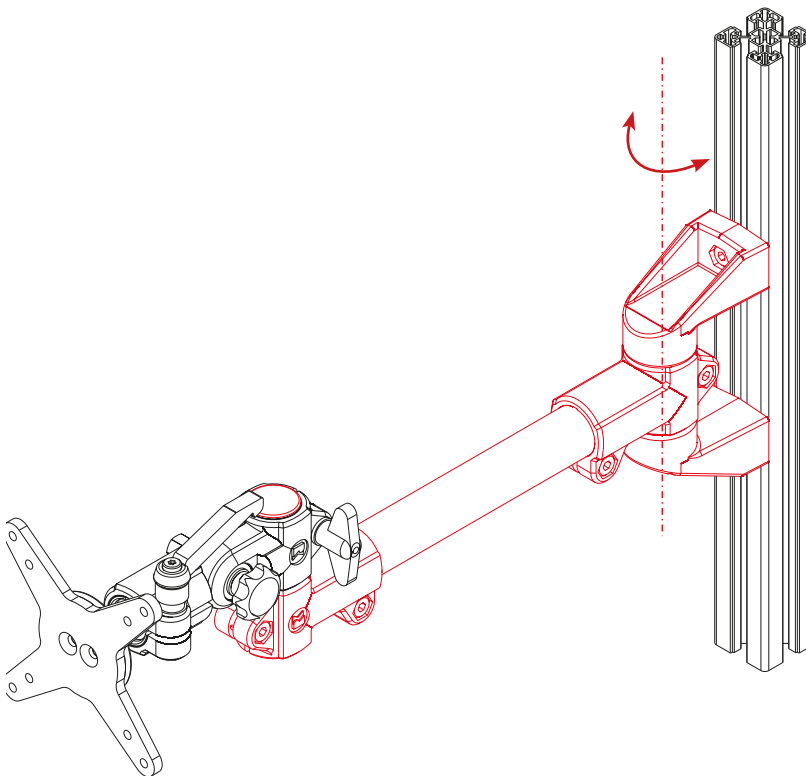
**Includes:**  
Complete with fixing set for slot geometry 40

Code No.	Weight
193000298C66	270 g



### Support arm single

**Includes:**  
Complete with fixing set for  
slot geometry 40



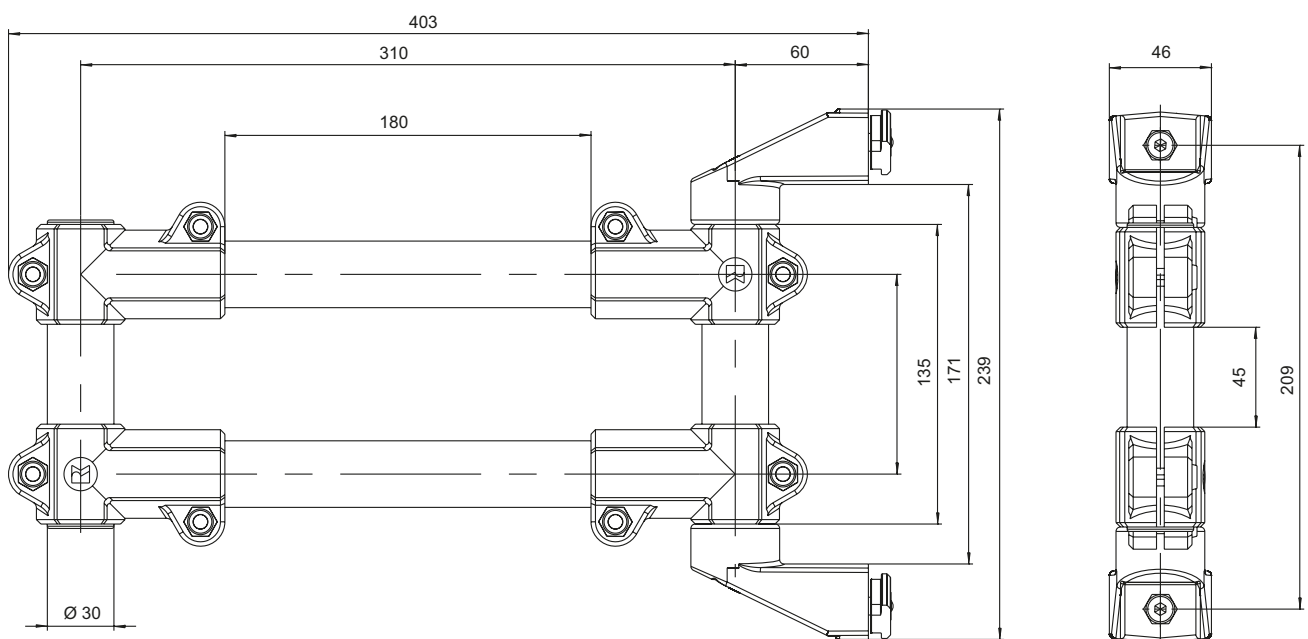
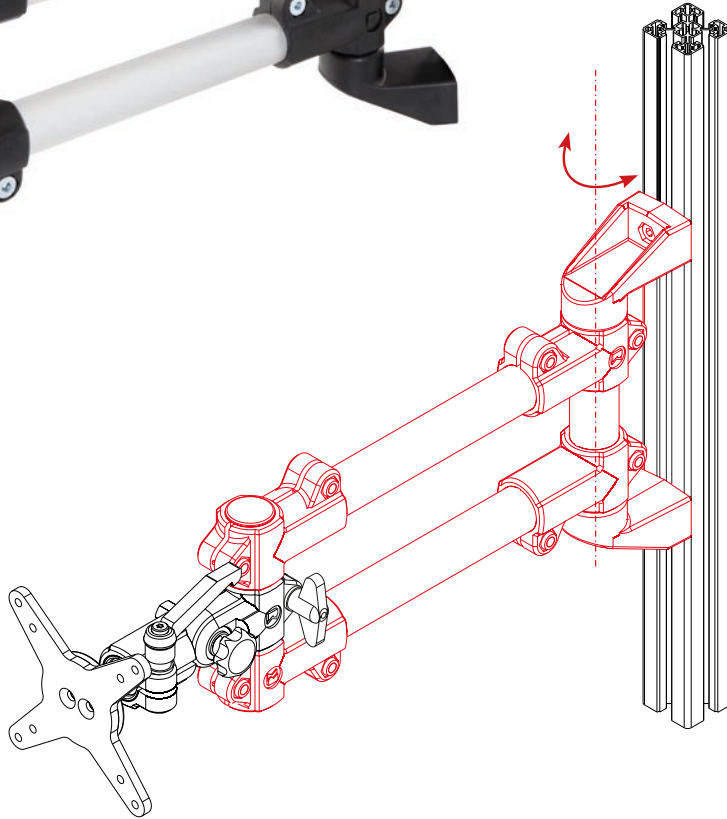
Code No.	Weight	max. load
193000018C66	610 g	10 kg

# RK Monitor Mounting / Fixing

Support arm double

Includes:

Complete with fixing set for slot geometry 40



Code No.	Weight	max. load
193000028C66	1030 g	25 kg





**Support arm double  
height adjustable**

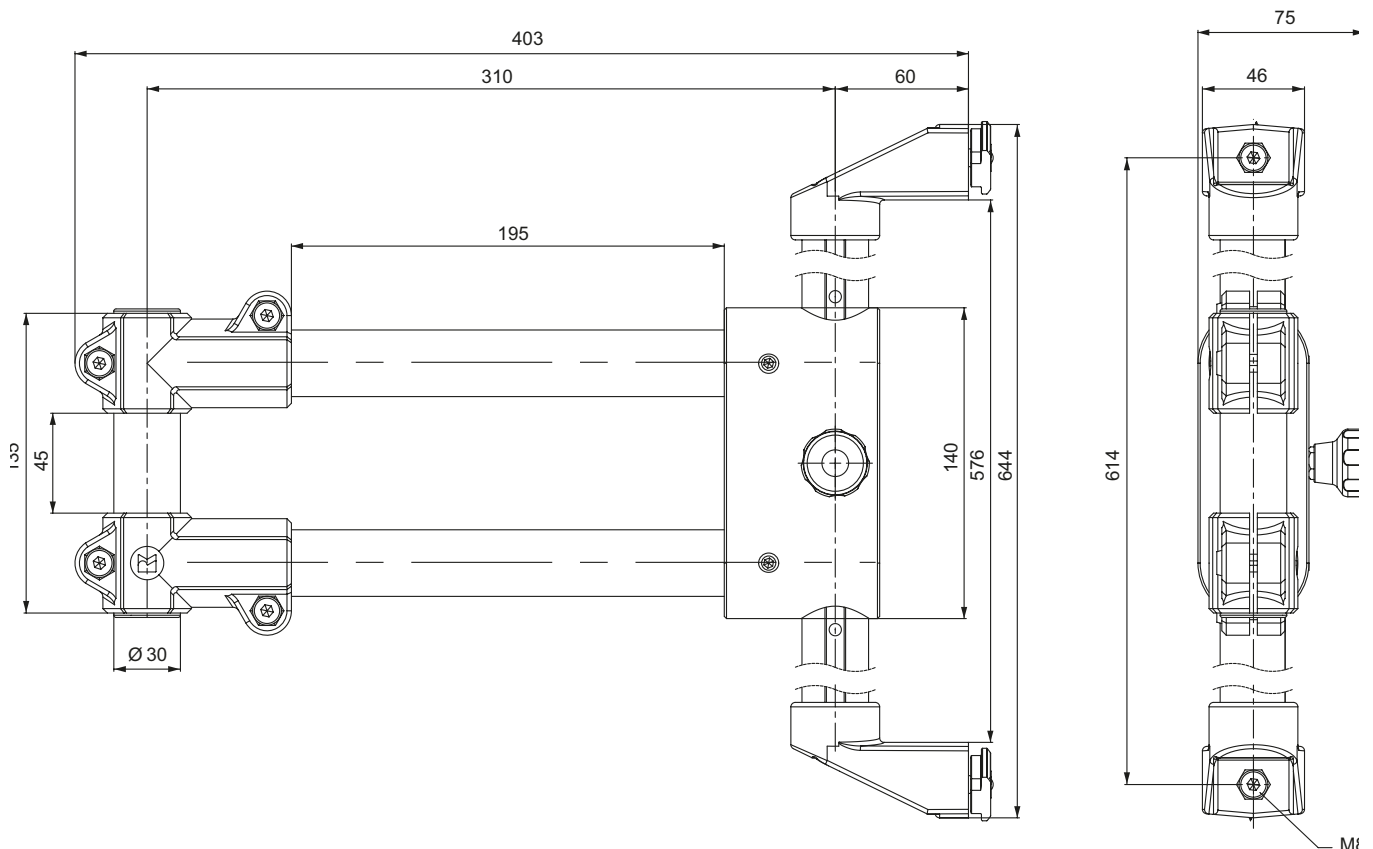
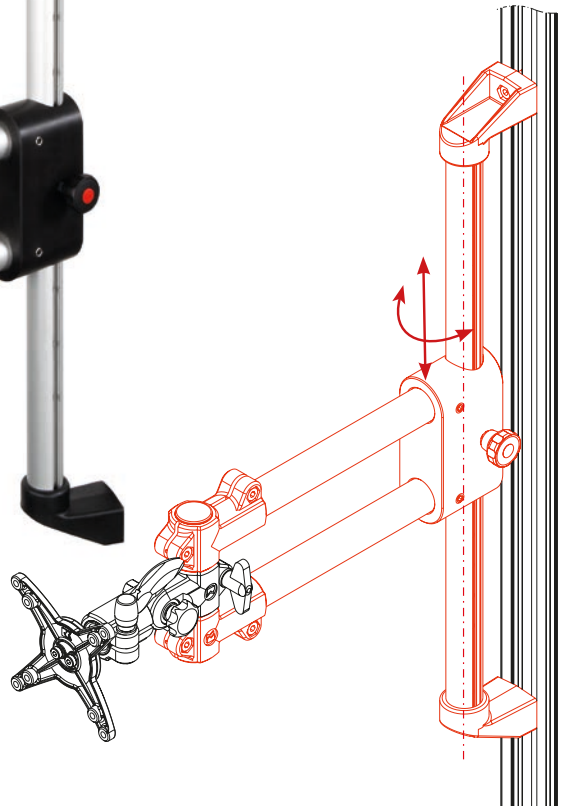


**Includes:**

Complete with fixing set for slot geometry 40

**Features:**

- Travel 400mm max. (30 mm steps)
- Toolless manual adjustment
- Safe locking by a spring-loaded stop bolt

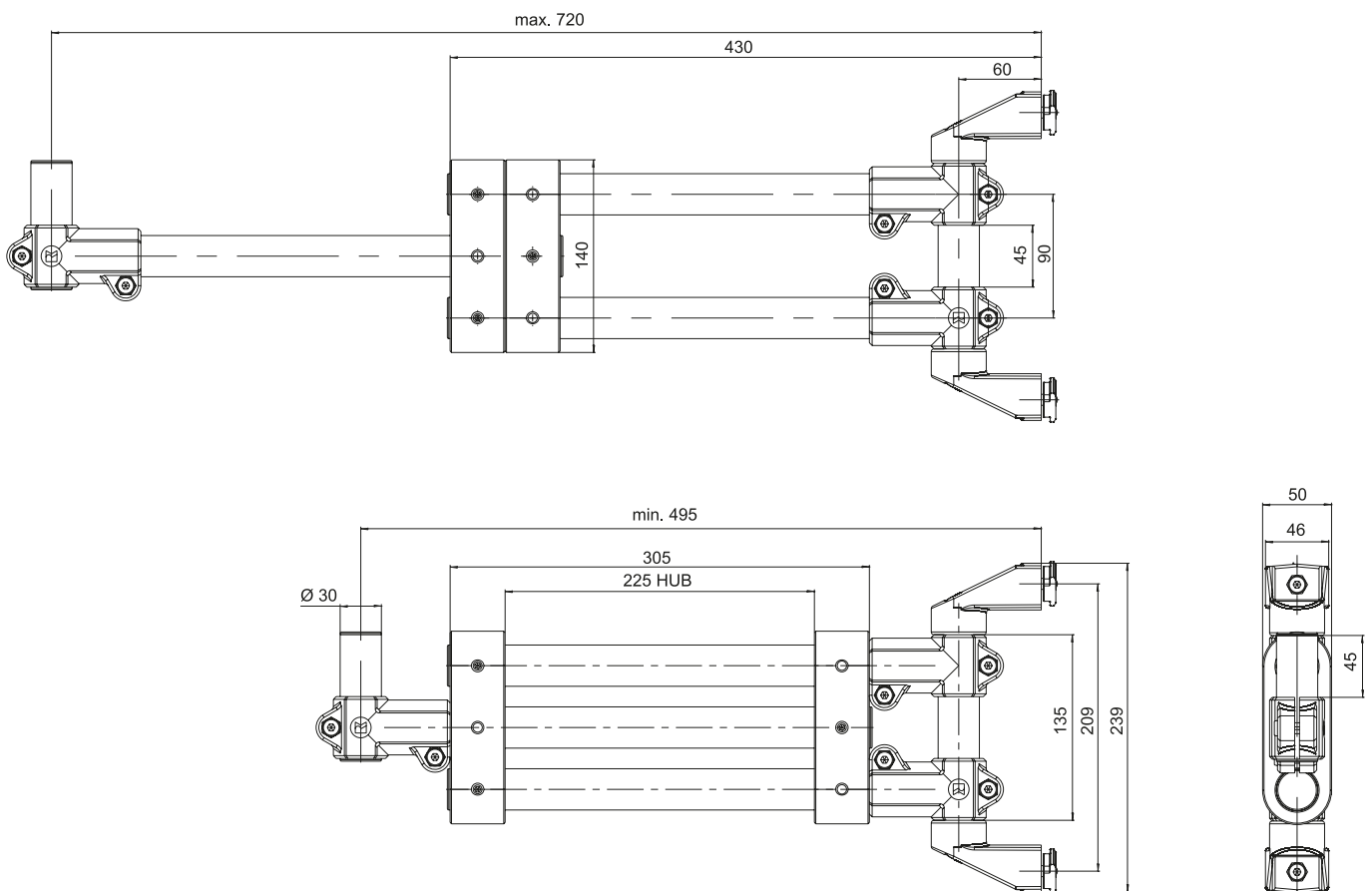
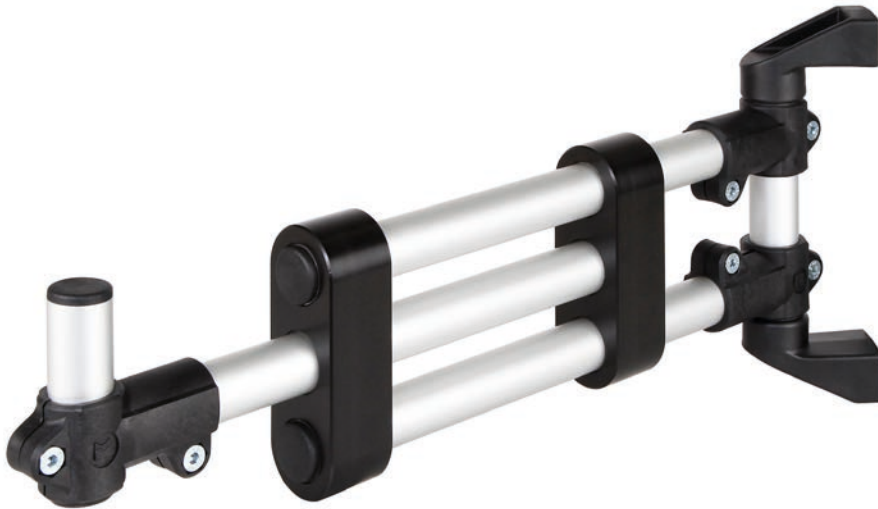


Code No.	Weight	max. load
193000068C66	2040 g	10 kg

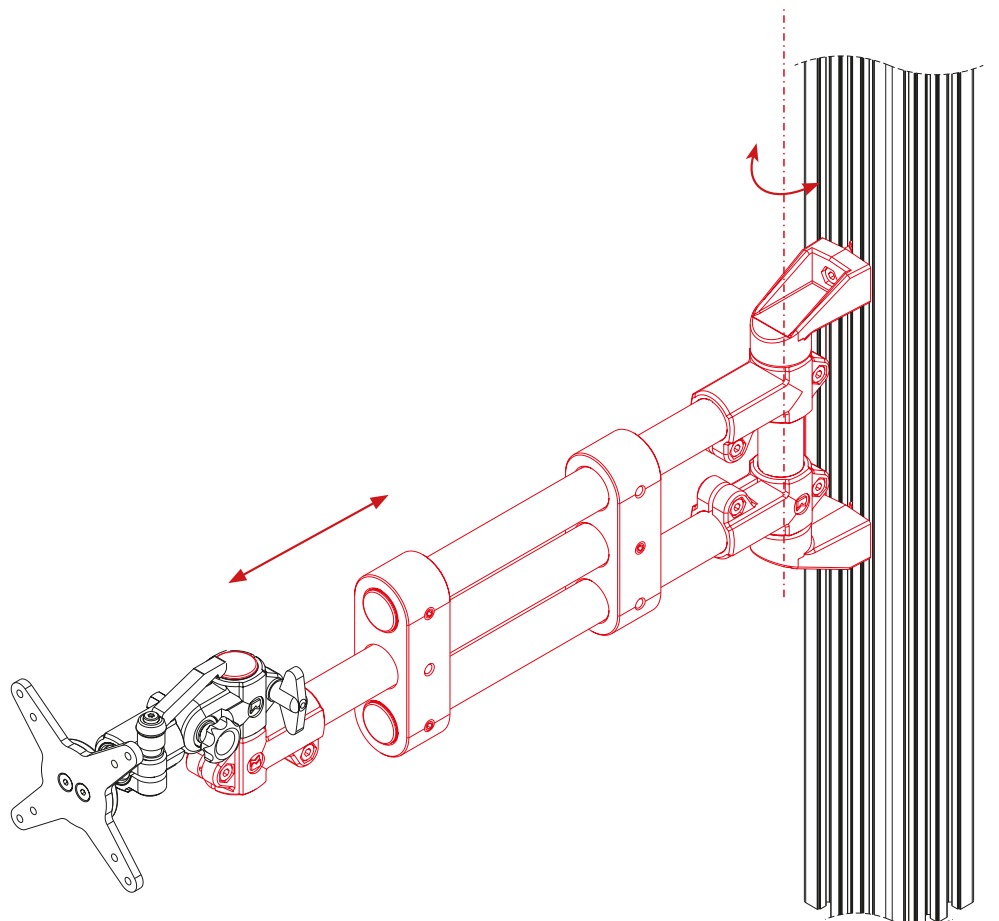
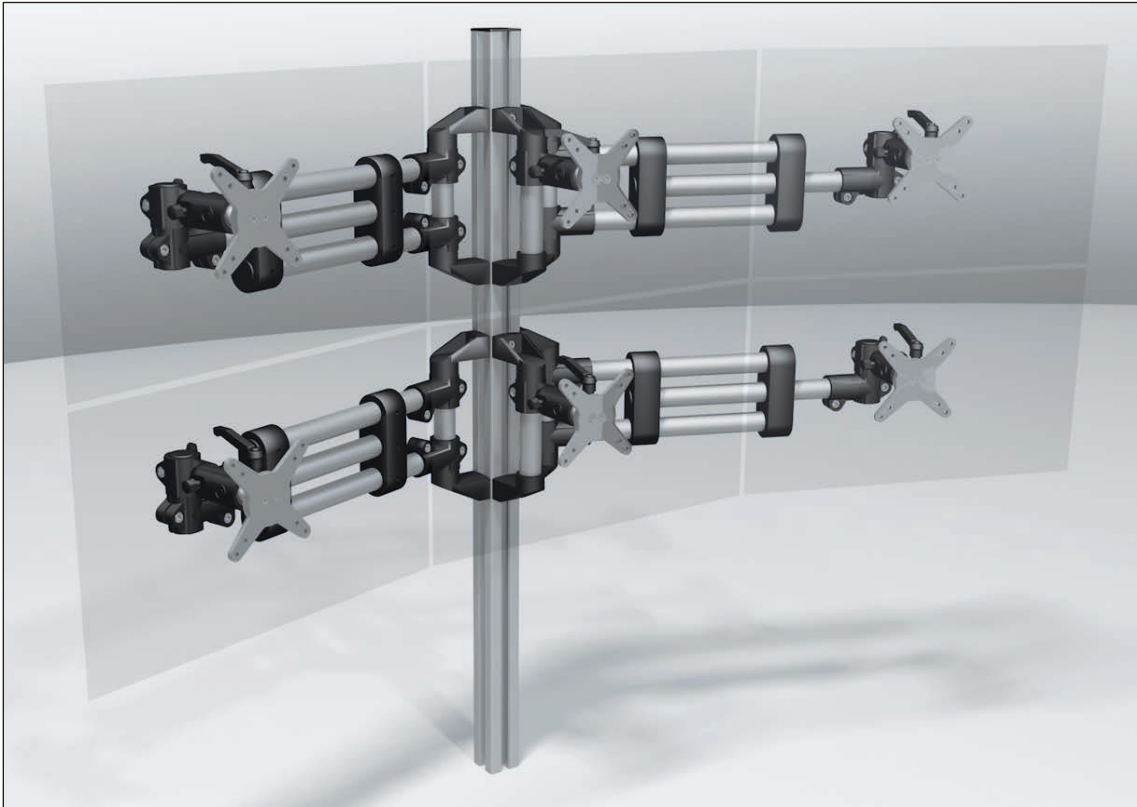
# RK Monitor Mounting / Fixing

## Support arm telescope

**Includes:**  
Complete with fixing set for  
slot geometry 40



Code No.	Weight	max. load
193000048C66	1610 g	5 kg



# RK Monitor Mounting / Fixing

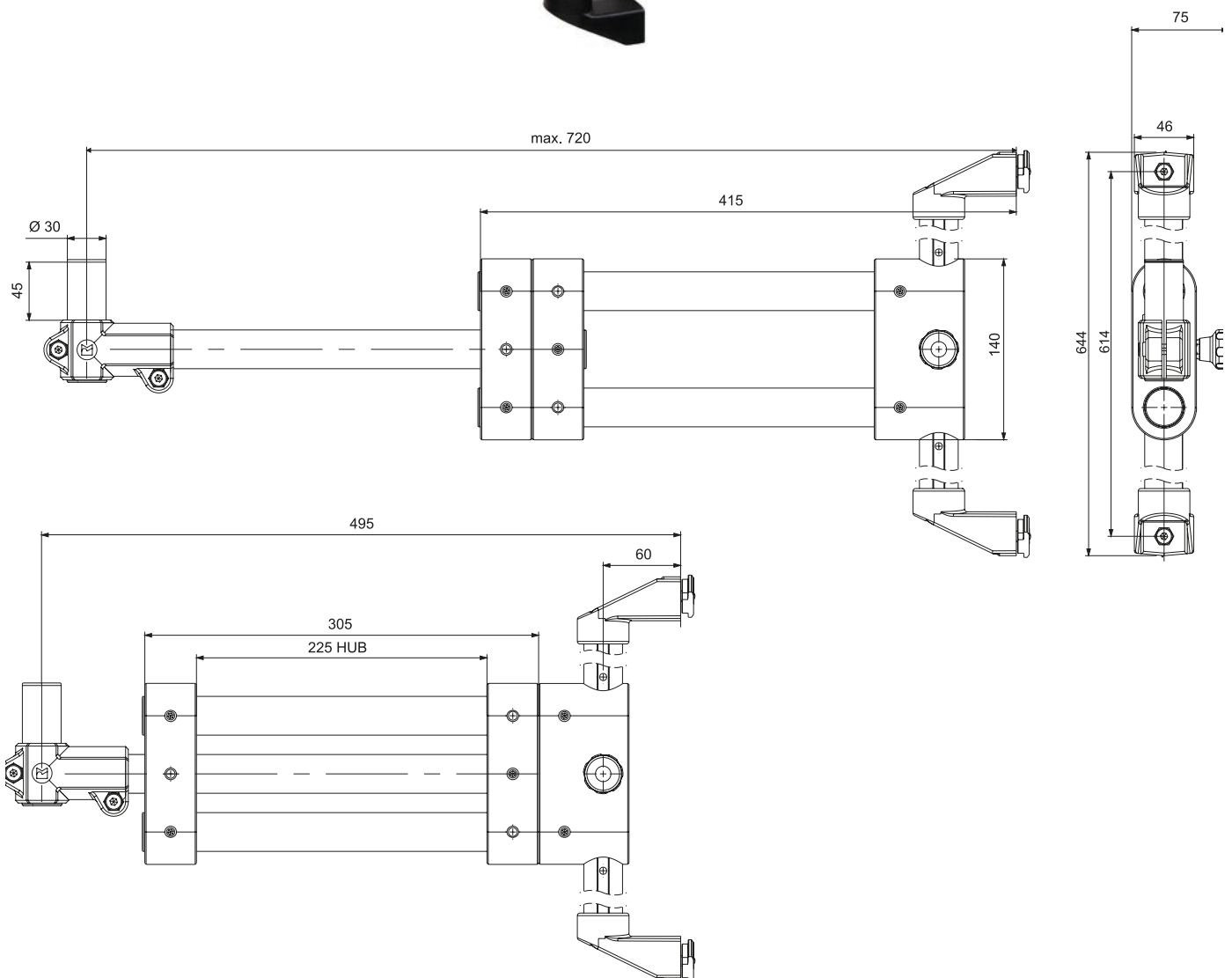
Support arm telescope  
height adjustable



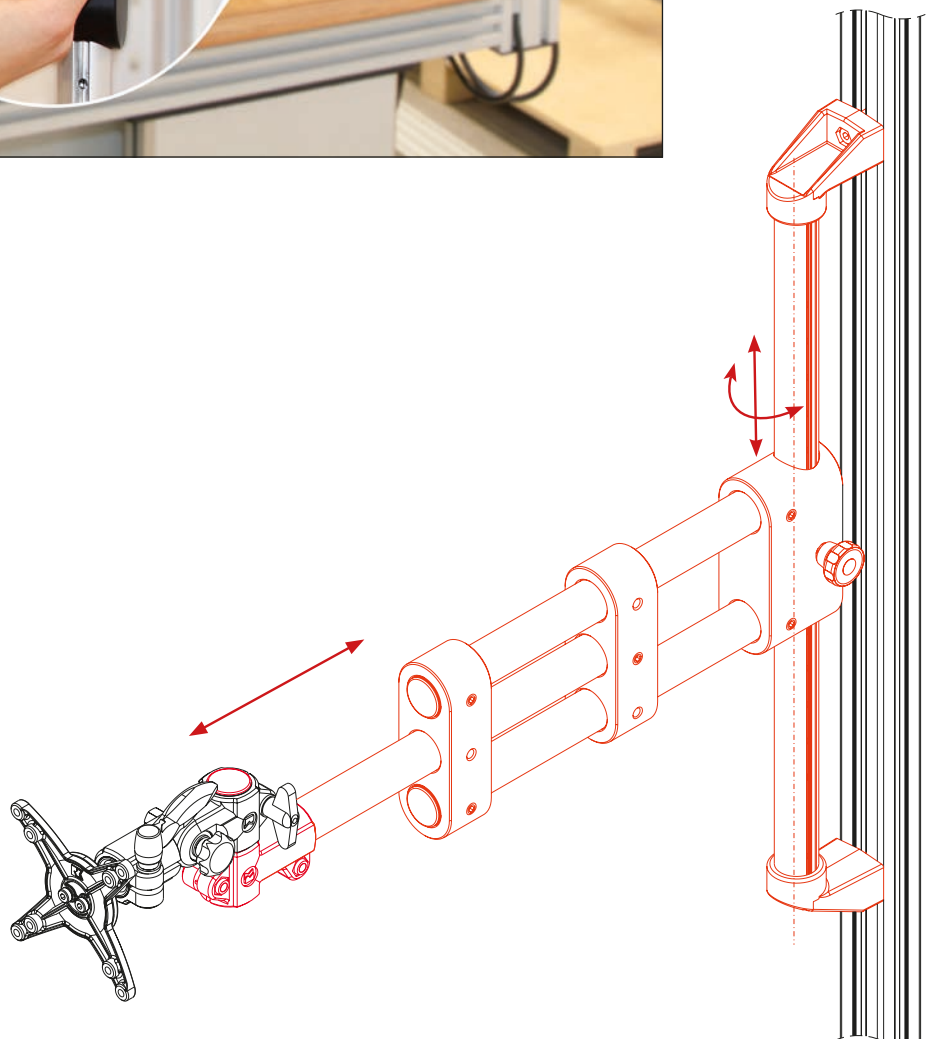
**Includes:**  
Complete with fixing set for  
slot geometry 40

**Features:**

- Travel 400mm max. (30 mm steps)
- Toolless manual adjustment
- Safe locking by a spring-loaded stop bolt



Code No.	Weight	max. load
19300058C66	2640 g	5 kg



# RK Monitor Mounting / Modules

## Monitor floor stand adjustable

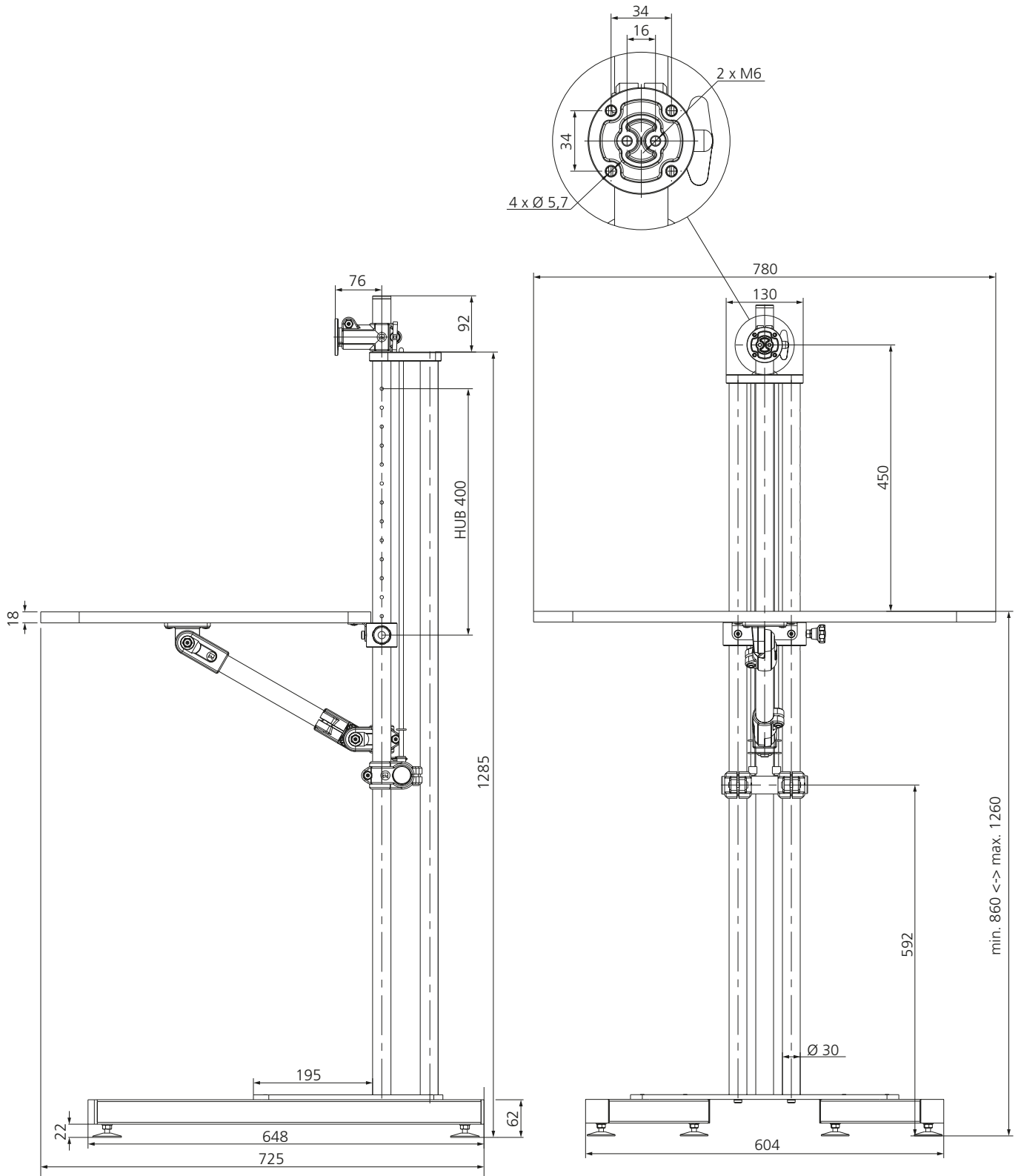
### Includes:

- pre-assembled kit

### Features:

- Travel 400mm max. (30 mm steps)
- Manual adjustment without tools of the work surface with tie rod support
- Safe locking of the height adjustment by spring-loaded locking bolt
- Stable construction with adjustable feet, optionally with swivel castors (page 21)
- Coated working surface (0,30m<sup>2</sup>)
- Integrated cable channel
- Mounting for monitor pre-assembled, optionally combinable with all RK monitor mountings

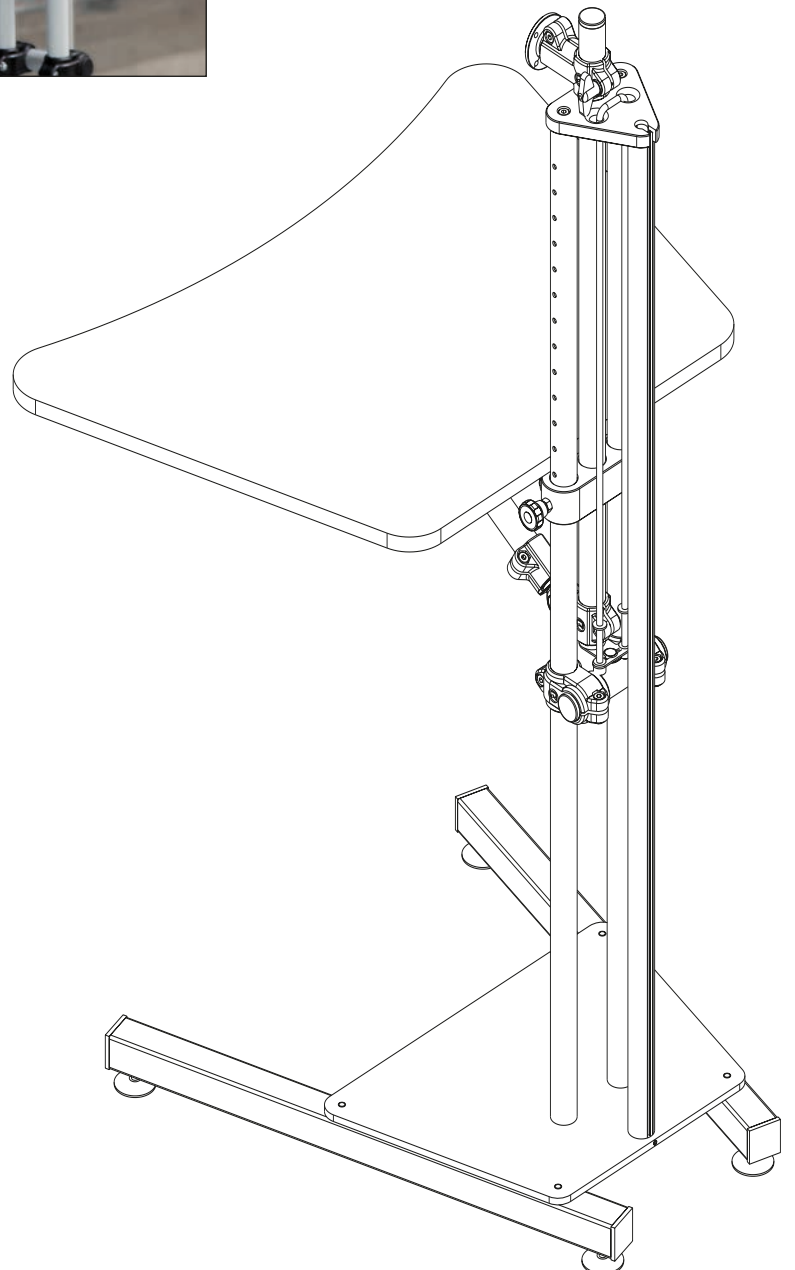




Code No.	Weight
193000078C66	22.2 kg

# RK Monitor Mounting / Modules

## Monitor floor stand adjustable







Height adjustment for monitors



Cable guide



Height adjustment  
table top (locking bolt)



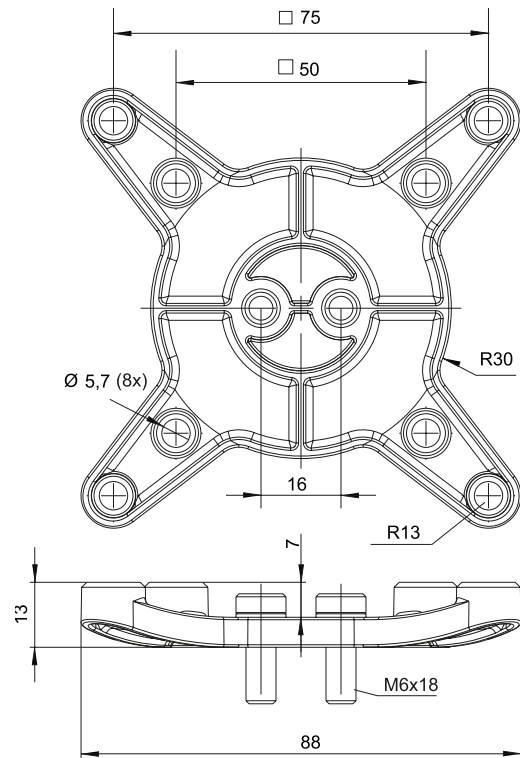
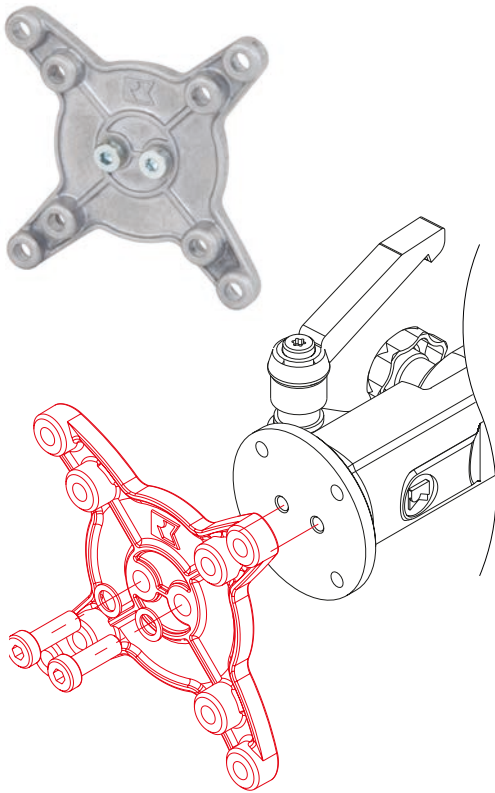
Optional: Lockable steering roller (page 21)



Tie rod

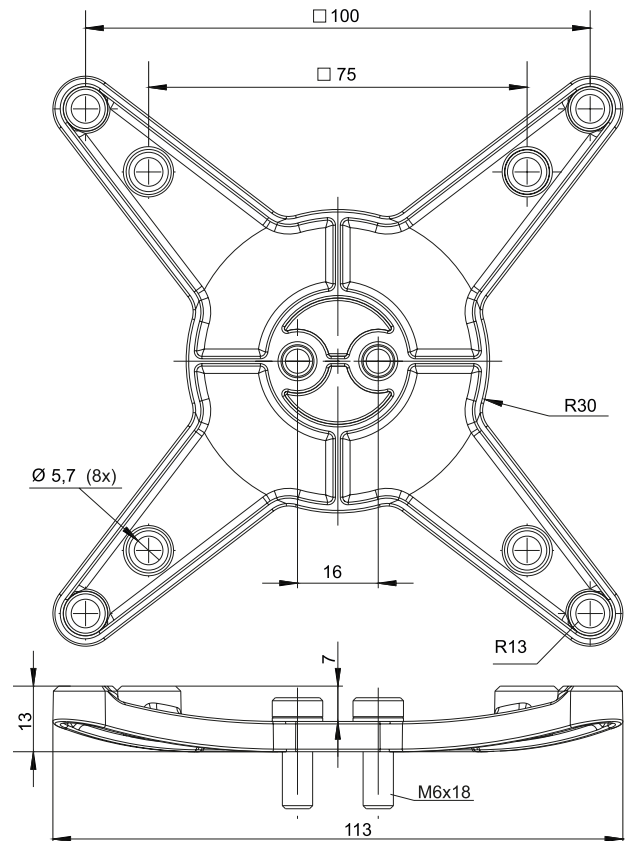
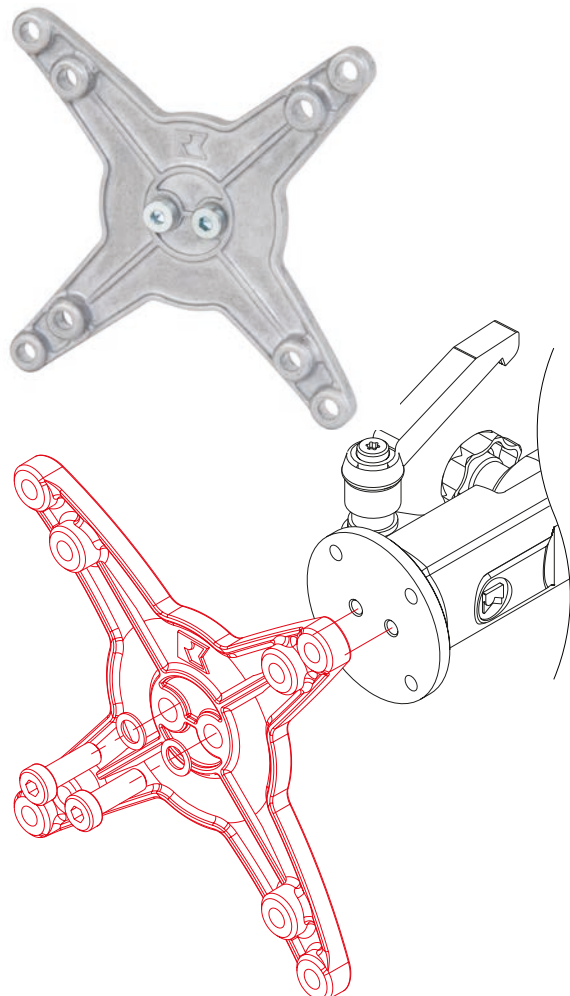
# RK Monitor Mounting / Accessories

## Adaptor plate VESA 50/75



Code No.	Weight
94372	67 g

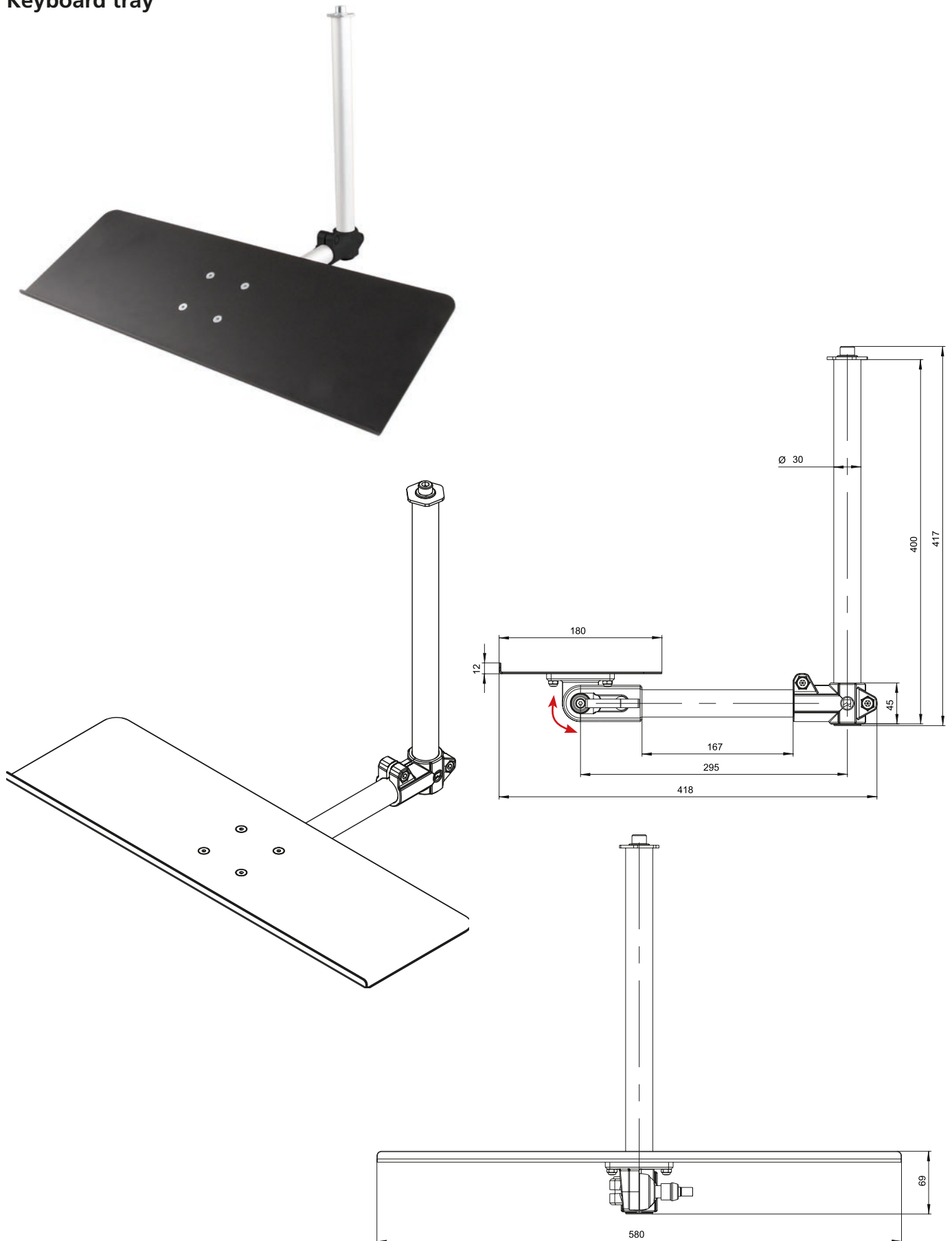
## Adaptor plate VESA 75/100



Code No.	Weight
94371	80 g



### Keyboard tray



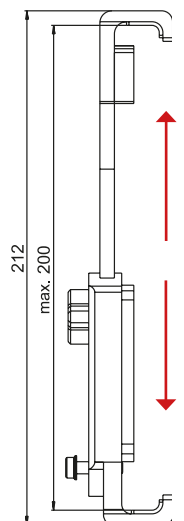
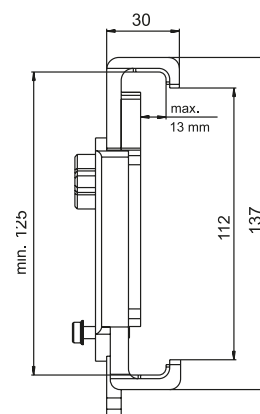
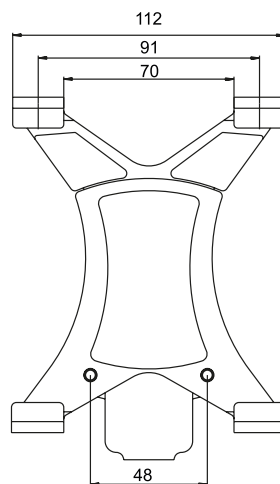
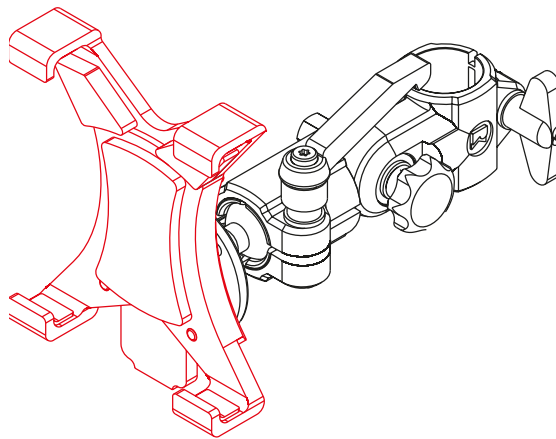
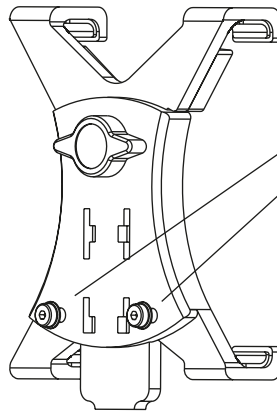
Designed for Support arm double and Support arm double height adjustable

Code No.	Weight
193000038C66	2500 g

# RK Monitor Mounting / Accessories

## Tablet holder

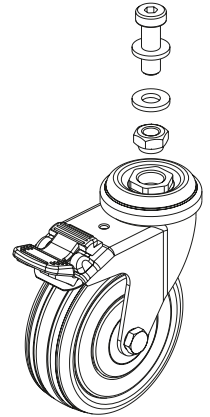
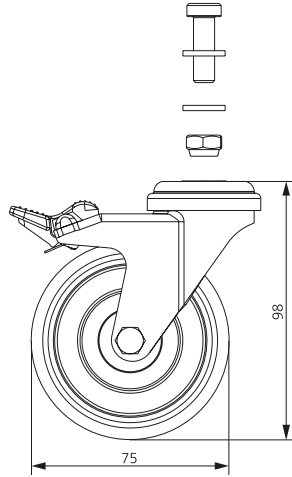
scope of delivery: fixing set for RK monitor mounting



Code No.	adjustment range
193000052C66	125 mm - 200 mm

### Lockable swivel castor

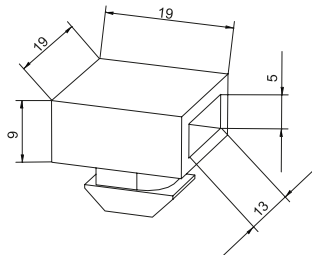
**Material:** galvanized steel  
**Includes:** fixing set for Monitor floor stand adjustable



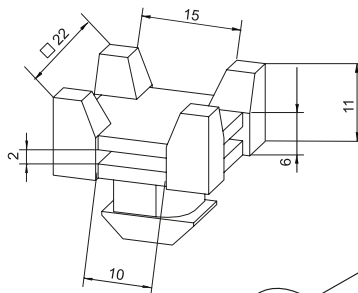
Code No.	Weight
90503	340 g

### Vario-Quick holding block K/KK

Version K

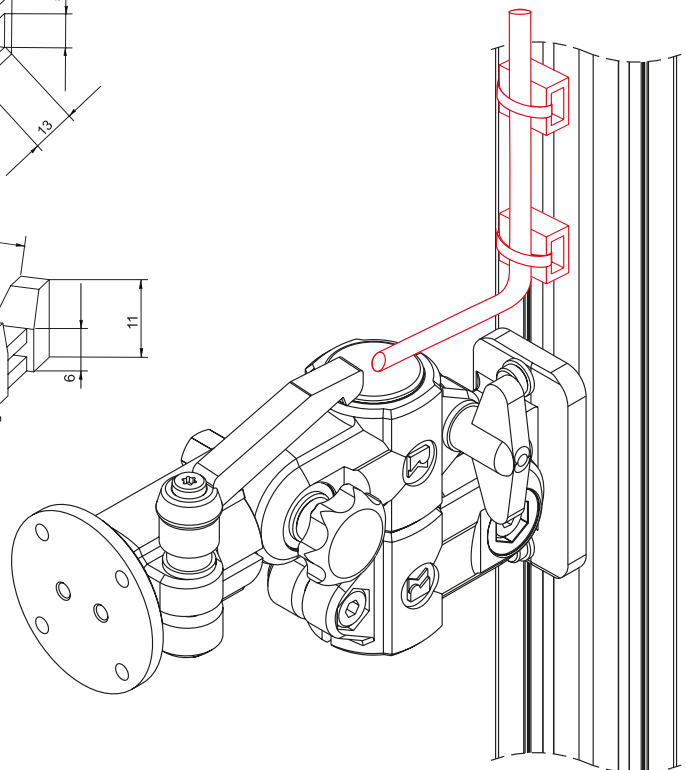


Version KK



- For fixing cables and hoses
- It is possible to insert it into the profile slot retrospectively

**Material:** Black plastic



Code No.	Version	lot sizes	Suitable for
40181251	Holding block K	5, 10, 15... piece	40 slot geometry*
40181271	Holding block KK	5, 10, 15... piece	40 slot geometry*

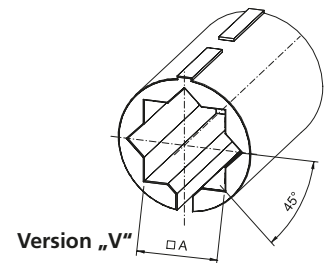
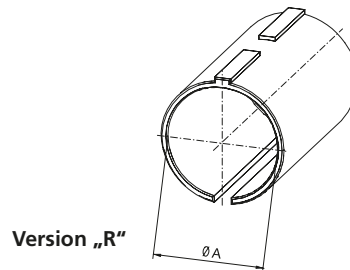
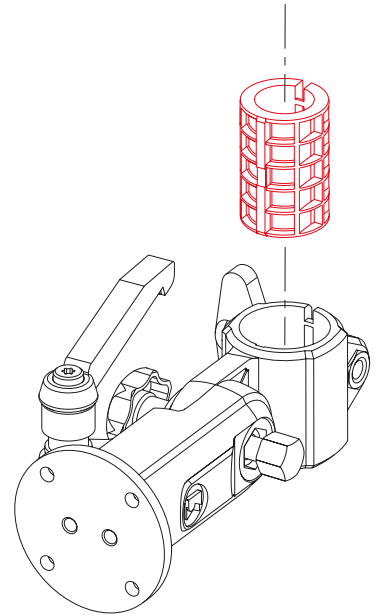
\* Slot geometry RK Profile Technology

# RK Monitor Mounting / Accessories

## Order instruction:

- Purchase only in lot sizes and a multiple of that, see product table below

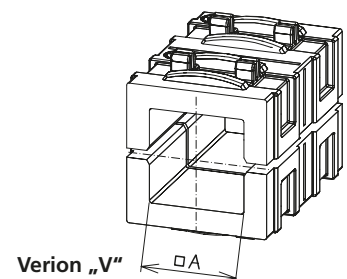
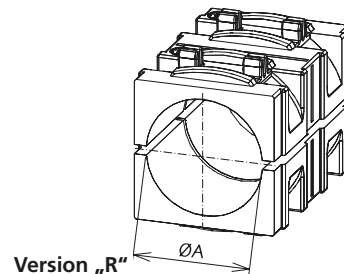
## Reducing bushes for monitor mounting



[mm]

Code No.	Version	lot sizes	A + 0,1
96204AC	R20	5, 10, 15... piece	20,25
96206AC	R25	5, 10, 15... piece	25,25
96208AC	V20	5, 10, 15... piece	20,25

## Reducing inserts for monitor mounting



[mm]

Code No.	Version	lot sizes	A
963000AC	R20	5, 10, 15... pcs	20,25
963002AC	R25	5, 10, 15... pcs	25,25
963004AC	R30	5, 10, 15... pcs	30,25
963001AC	V20	5, 10, 15... pcs	20,50
963003AC	V25	5, 10, 15... pcs	25,50

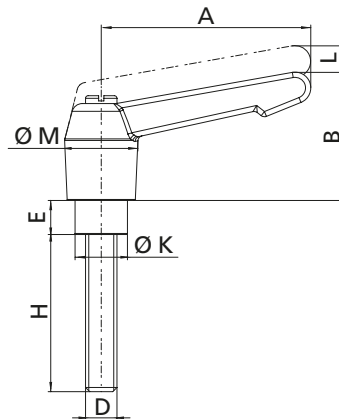
## Clamping lever

- The clamping lever enables the re-adjustment of the clamping element. This can be done by easy exchange of the cylinder screw.
- By lifting the grip, the free movement of the serration toothing enables the clamping lever to swing into the desired position. The grip moves into its original position when released.

**Material:** Grip made of polyamide black, screws -stainless steel



(Symbolische Darstellung)



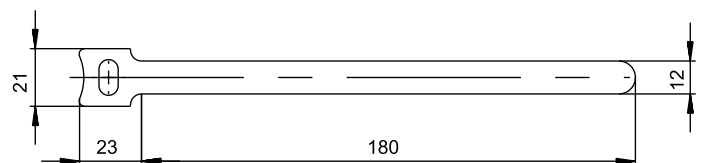
[mm]

Code No.	Type	A	B	D	E	H	K	L	M
902381	20-30	65	35	M8	14	25	13	4	19,5

### Order instruction:

- Purchase only in pack quantities, see catalogue

## Cable straps with velcro



Code No.	Scale of pack quantities
91815	5, 10, 15... piece

# RK Monitor Mounting / Applications







**R** RENOWNED  
KNOW-HOW



**RK ROSE+KRIEGER**

A Phoenix Mecano Company

**LINEAR-  
PROFILE-  
CONNECTING-  
MODULE-  
TECHNOLOGY**



## FAX reply form

Yes, I would like to know more about RK connecting technology, please:

send me details of your product range in PDF format on a CD-ROM

send me the Connecting Technology catalogue

contact me

Company: \_\_\_\_\_

Contact partner: \_\_\_\_\_

Department: \_\_\_\_\_

Address: \_\_\_\_\_

Tel. + Fax: \_\_\_\_\_

E-mail: \_\_\_\_\_



**RK ROSE+KRIEGER**

A Phoenix Mecano Company

**Connecting and positioning systems**

RK Rose+Krieger GmbH  
Postfach 15 64  
32375 Minden, Germany  
Telephone: +49 (0)571 93 35-0  
Fax: +49 (0)571 93 35-119  
E-mail: [info@rk-online.de](mailto:info@rk-online.de)  
Internet: [www.rk-rose-krieger.com](http://www.rk-rose-krieger.com)