

Splice box - FOC-FDX20-PP-STD6-OM1-PT9 - 1019684

Please be informed that the data shown in this PDF Document is generated from our Online Catalog. Please find the complete data in the user's documentation. Our General Terms of Use for Downloads are valid (<http://phoenixcontact.com/download>)



DIN rail splice box, fully mounted ready to splice, for 6x ST duplex (OM1)

DIN rail splice box, 6x ST duplex, including pigtails and splice holder

Product Description

DIN rail splice box of the FDX 20 series, equipped with a 6x ST duplex coupling, fully assembled and ready for splicing with pre-assembled 900 µm pigtails (OM1) and splice holder (for separately sold shrink und crimp splice protection) on a patented splice comb made from powder-coated sheet steel. Cable insertion possible by means of screw connection on top and bottom. Housing (2-part) prepared for DIN rail mounting through rear-side adapter (this can also be mounted on the side).

Scope of supply:


DIN rail housing with integrated splice comb (mounted), equipped with a 6x ST duplex coupling, 12x pigtail (OM1), 1x splice holder, 1x cable gland (M20x1,5)

Your advantages

- ✓ Intuitive front panel operation and clear control cabinet layout thanks to uniform design
- ✓ Flexible DIN rail mounting possible in three positioning directions
- ✓ Perfectly sized and patented pigtail tray, for convenient splicing and compact bending radii.
- ✓ 6 duplex front connections and compact dimensions, for more space in the control cabinet
- ✓ Suitable for industrial applications
- ✓ Reduced installation time, thanks to pre-assembled, ready-to-splice design
- ✓ Continuously reliable data connection, thanks to extensively tested components
- ✓ 3-stage strain relief
- ✓ easy to install
- ✓ including cable gland
- ✓ Small bunched wire tube is guided directly on the splice holder



Key Commercial Data

Packing unit	1 pc
GTIN	 4 055626 701134
GTIN	4055626701134

Splice box - FOC-FDX20-PP-STD6-OM1-PT9 - 1019684

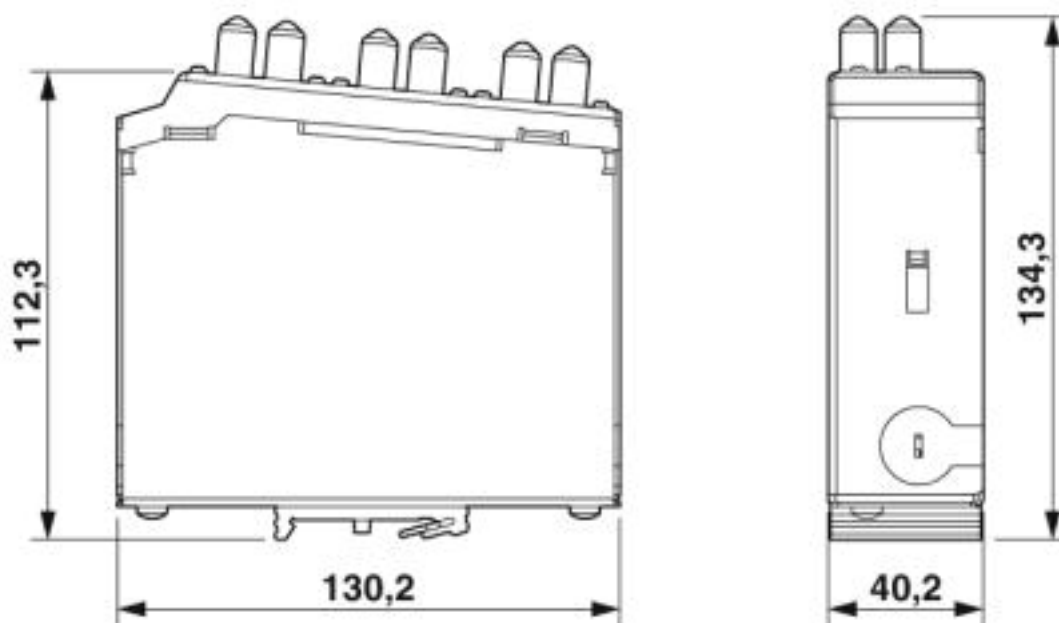
Technical data

Environmental Product Compliance

China RoHS	Environmentally friendly use period: unlimited = EFUP-e
	No hazardous substances above threshold values

Drawings

Dimensional drawing



DIN rail splice box 6x ST duplex OM1, fully mounted ready to splice

Classifications

eCl@ss

eCl@ss 10.0.1	19170113
eCl@ss 6.0	19069200
eCl@ss 7.0	19069290
eCl@ss 8.0	19069290
eCl@ss 9.0	19069290

ETIM

ETIM 5.0	EC002610
ETIM 6.0	EC002610
ETIM 7.0	EC002610

Splice box - FOC-FDX20-PP-STD6-OM1-PT9 - 1019684

Approvals

Approvals

Approvals

EAC

Ex Approvals

Approval details

EAC		B.01687
-----	--	---------

Accessories

Accessories

Data cable preassembled

FO patch cable - FOC-ST:PA-ST:PA-OM1:D01/1 - 1146501



Multi-mode OM1 duplex jumper, ST-ST, UPC polishing, length 1 m

FO patch cable - FOC-LC:PA-ST:PA-OM1:D01/1 - 1146499



Multi-mode OM1 duplex jumper, LC-ST, UPC polishing, length 1 m

FO patch cable - FOC-ST:PA-ST:PA-OM1:D01/2 - 1146509



Multi-mode OM1 duplex jumper, ST-ST, UPC polishing, length 2 m

Splice box - FOC-FDX20-PP-STD6-OM1-PT9 - 1019684

Accessories

FO patch cable - FOC-LC:PA-ST:PA-OM1:D01/2 - 1146508



Multi-mode OM1 duplex jumper, LC-ST, UPC polishing, length 2 m

FO patch cable - FOC-ST:PA-ST:PA-OM1:D01/5 - 1146517



Multi-mode OM1 duplex jumper, ST-ST, UPC polishing, length 5 m

FO patch cable - FOC-LC:PA-ST:PA-OM1:D01/5 - 1146516



Multi-mode OM1 duplex jumper, LC-ST, UPC polishing, length 5 m

Necessary add-on products

Shrink splice protection - FOC-SHRINKSPLICE-PROTECT - 1019676



Shrink splice protection, type: Straight, degree of protection: IP20, cable outlet: above and below, color: transparent

Crimp splice protection - FOC-CRIMPSPLICE-PROTECT - 1019678



Crimp splice protection, type: Straight, degree of protection: IP20, connection method: Crimp, cable outlet: above and below, color: Bare metallic

Additional products

Splice box - FOC-FDX20-PP-STD6-OM1-PT9 - 1019684

Accessories

FO patch cable - FOC-ST:A-ST:A-GZ04/... - 1413821



Assembled FO cable, zip cord cable, multi-mode fiberglass 62.5/125 μm , OM1, connector: B-FOC (ST)/B-FOC (ST), degree of protection: IP20, for installation in cable ducts or control cabinets

FO patch cable - FOC-ST:A-LC:A-GZ04/... - 1413792



Assembled FO cable, zip cord cable, multi-mode fiberglass 62.5/125 μm , OM1, connector: B-FOC (ST)/LC duplex, degree of protection: IP20, for installation in cable ducts or control cabinets

FO patch cable - FOC-SC:A-ST:A-GZ04/... - 1413791



Assembled FO cable, zip cord cable, multi-mode fiberglass 62.5/125 μm , OM1, connector: SC duplex/B-FOC (ST), degree of protection: IP20, for installation in cable ducts or control cabinets

FO patch cable - FOC-FS:A-ST:A-GZ04/... - 1406535



Assembled FO cable, zip cord cable, multi-mode fiberglass 62.5/125 μm , OM1, plug: FSMA/B-FOC (ST), degree of protection: IP20, for installation in cable ducts or control cabinets

FO accessories - FOC-TOOL-FERRULECLEANER-2.50 - 1407029



2.50 mm ferrule cleaner, for ST, SC, FC, E2000 (also APC), approx. 500 cleaning cycles

Splice box - FOC-FDX20-PP-STD6-OM1-PT9 - 1019684

Accessories

FO accessories - FOC-TOOL-STICKCLEANER-2.50 - 1407002



Stick cleaner for couplings and plug end faces, 2.50 mm (ST, SC), Pcs. / Pkt.: 10

Screw plug - A-INSP-M20-68N-P-LG - 1424519



Screw plug, material: PA, connecting thread: M20 x 1.5, color: lightgrey RAL 7035, with O-ring

Nut - WP-CN PA M20 - 3241134



Nut, height: 6 mm, color: gray

Philips screwdriver - SF-PH 1-80 - 1212559



Screwdriver, PH crosshead (lasered), uninsulated, size: PH 1 x 80, 2-component grip, with non-slip grip

Screwdriver - SF-SL 1,0X5,5-150 - 1212552



Screwdriver, bladed (lasered), size: 1.0 x 5.5 x 150 mm, 2-component grip, with non-slip grip

Splice box - FOC-FDX20-PP-STD6-OM1-PT9 - 1019684

Accessories

End clamp - E/NS 35 N - 0800886



End clamp, width: 9.5 mm, color: gray

DIN rail adapter - NBC-PP-G1PGY - 1041740



DIN rail adapter, type: Headers with shielding, degree of protection: IP20, material: PC-GF10, without assembled modules

DIN rail adapter - FL DIN RA - 2891053



The FL DIN RA is installed in a standard, 19-inch rack (EIA-310-D, IEC 60297-3-100) to allow DIN rail mounted equipment to be rack mounted.

DIN rail adapter - NBC-PP-G1PGY - 1041740



DIN rail adapter, type: Headers with shielding, degree of protection: IP20, material: PC-GF10, without assembled modules

Cable gland - G-INS-M20-S68N-PNES-GY - 1411125



Cable gland, cable gland material: PA, external cable diameter 6 mm ... 12 mm, shielding: no, connecting thread: M20 x 1.5, color: silver-gray RAL 7001

Splice box - FOC-FDX20-PP-STD6-OM1-PT9 - 1019684

Accessories

Marking foil for zack marker strip - TML (104X10)R - 0801835



Marking foil for zack marker strip, Roll, white, unlabeled, can be labeled with: THERMOMARK ROLL 2.0, THERMOMARK ROLL, THERMOMARK ROLL X1, THERMOMARK ROLLMASTER 300/600, THERMOMARK X1.2, mounting type: adhesive, for terminal block width: 104 mm, lettering field size: 104 x 10 mm, Number of individual labels: 1500

Marking foil for zack marker strip - TML (EX9,5)R TR - 0816634



Marking foil for zack marker strip, Roll, transparent, unlabeled, can be labeled with: THERMOMARK ROLL 2.0, THERMOMARK ROLL, THERMOMARK ROLL X1, THERMOMARK ROLLMASTER 300/600, THERMOMARK X1.2, mounting type: adhesive, for terminal block width: 30000 mm, lettering field size: 40000 x 9.5 mm, Number of individual labels: 4000

Safety label with special adhesive - EMLS (70X32)R SR - 0800346



Safety label with special adhesive, Roll, silver, unlabeled, can be labeled with: THERMOMARK ROLLMASTER 300/600, THERMOMARK X1.2, THERMOMARK ROLL X1, THERMOMARK ROLL 2.0, THERMOMARK ROLL, mounting type: adhesive, lettering field size: 70 x 32 mm, Number of individual labels: 500

Label for rough surfaces - EML-HA (76X51)R - 0830609



Label for rough surfaces, Roll, white, unlabeled, can be labeled with: THERMOMARK ROLLMASTER 300/600, THERMOMARK X1.2, THERMOMARK ROLL X1, THERMOMARK ROLL 2.0, THERMOMARK ROLL, mounting type: adhesive, lettering field size: 76 x 51 mm, Number of individual labels: 1000

Warning label - PML-W100 (25X25)R - 0830429



Warning label, Roll, yellow/black, unlabeled, can be labeled with: THERMOMARK ROLLMASTER 300/600, THERMOMARK X1.2, THERMOMARK ROLL X1, THERMOMARK ROLL 2.0, THERMOMARK ROLL, mounting type: adhesive, diameter: 0 mm, lettering field size: 25 x 25 mm, Number of individual labels: 500

Splice box - FOC-FDX20-PP-STD6-OM1-PT9 - 1019684

Accessories

Device marker - LS-EMLP (60X15) WH - 0831696

Device marker, Sheet, white, unlabeled, can be labeled with: TOPMARK NEO, TOPMARK LASER, mounting type: adhesive, lettering field size: 60 x 15 mm, Number of individual labels: 20



Cable marker - WML-RFID/HF 14 (25X19)R - 0803386



Cable marker label with RFID-HF transponder, roll, white, unmarked, can be printed with: THERMOMARK ROLL, THERMOMARK ROLL X1, THERMOMARK X1.2, mounting type: adhesive, min. cable diameter: 9 mm, max. cable diameter: 14 mm, lettering field size: 25 x 19 mm

Phoenix Contact 2020 © - all rights reserved
<http://www.phoenixcontact.com>

PHOENIX CONTACT GmbH & Co. KG
Flachsmarktstr. 8
32825 Blomberg
Germany
Tel. +49 5235 300
Fax +49 5235 3 41200
<http://www.phoenixcontact.com>