

Model No.: FSL-1830R09-04
 Product Line: Tymphany

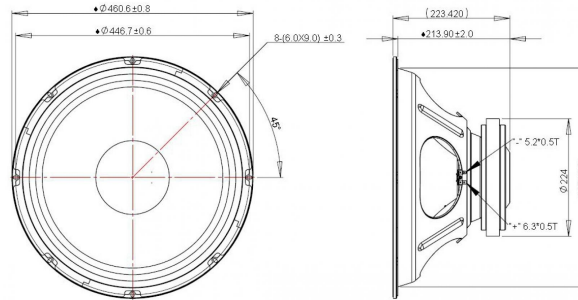
Rev: 1
 Last Update: 2017-12-07 05:04:53

Product Description

This 18 inch 4 ohm speaker features a FEA optimized ferrite magnet motor, 3inch voice coil, cloth surround, paper cone, a vented yoke for motor cooling, and a high strength stamped steel frame. Kevlar loaded non-pressed paper cone to help dampen and control cone resonance. The multi-roll surround and spider have been optimized to reduce distortion over the excursion range of this transducer.



Mechanical Drawing



Specifications

DC Resistance	Revc	Ohms	3.67	5.0%	Energy Bandwidth Product	EBP	(1/Qes)*fs	
Minimum Impedance	Zmin	Ohms	4.3	7.5%	Moving Mass	Mms	g	195.8
Voice Coil Inductance	Le	mH	1.05		Suspension Compliance	Cms	um/N	0.2
Resonant Frequency	Fs	Hz	27.8	15%	Effective Cone diameter	D	cm	39.5
Mechanical Q Factor	Qms		14.98		Effective Piston Area	Sd	cm^2	1225.4
Electrical Q Factor	Qes	0.44			Effective Volume	Vas	L	356
Total Q Factor	Qts	0.42			Motor Force Factor	BL	Tm	16.94
Ratio Fs/Qts	F	Fs/Qts	66.19		Motor Efficiency Factor	β	(T*M^2)/Ohms	78.2
Half Space Sensitivity @2.83V	db@2.83V/1M	dB	94.62	+/- 1.0db	Voice coil former Material	VCfm		TIL-P
Half Space Sensitivity @1W/1M	db@1W/1M	dB	91.9	+/- 1.0db	Voice coil inner diameter	VCd	mm	75.7
Gap Height	Gh	mm	10		Rated Noise Power	P	W	800
Maximum Linear Excursion	Xmax	mm	12		Test Spectrum Bandwidth		40Hz ~400 Hz	
Ferrofluid Type	FF				Driver Size	Inch	18 in	
Driver Mass	Kg	12.06						

Frequency and Impedance Response

