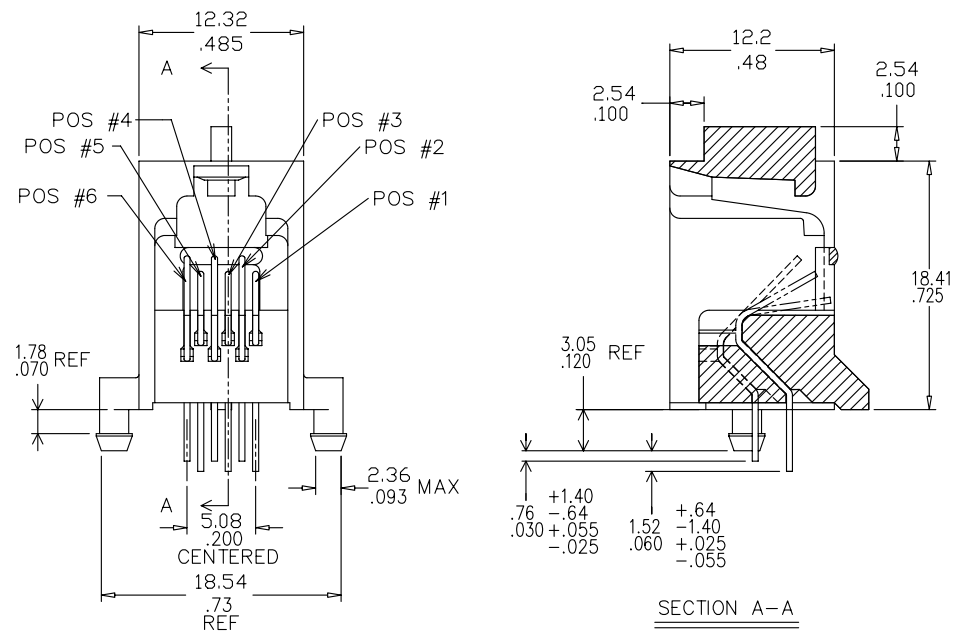


Tous droits strictement réservés. Reproduction ou communication à des tiers sans autorisation écrite du propriétaire.  
 Property of c BERG ELECTRONICS.  
 Droits de reproduction BERG ELECTRONICS by

All rights strictly reserved. Reproduction or issue to third parties in any form without written authority from the proprietor.  
 Property of c BERG ELECTRONICS.  
 Copyright BERG ELECTRONICS by

PRODUCT NO	POS NO'S WITH CONTACTS	HOUSING MATERIAL	CONTACT PLATING
66011-001/-001LF	2,3,4,5	SUPER TOUGH NYLON UL 94V-0 GRAY	.76 $\mu$ /30 $\mu$ "AU OVER 2.5 $\mu$ /100 $\mu$ "NI
-002/-002LF	ALL		
-003/-003LF	2 & 5		
-004/-004LF	3 & 4	SUPER TOUGH NYLON UL 94V-0 GRAY	
-005/-005LF	2,3,4,5	SUPER TOUGH NYLON UL 94V-0 BLACK	.76 $\mu$ /30 $\mu$ "AU OVER 2.5 $\mu$ /100 $\mu$ "NI
-006/-006LF	ALL	SUPER TOUGH NYLON UL 94V-0 GRAY	.76 $\mu$ /30 $\mu$ " GXT
-007/-007LF	2,3,4,5		.76 $\mu$ /30 $\mu$ " GXT
-008/-008LF	2,3,4,5		1.27 $\mu$ /50 $\mu$ "AU OVER 2.5 $\mu$ /100 $\mu$ "NI
-009/-009LF	ALL	SUPER TOUGH NYLON UL 94V-0 GRAY	0.15 $\mu$ /6 $\mu$ " GOLD FLASH
66011-010/-010LF	2,3,4,5	SUPER TOUGH NYLON UL 94V-0 BLACK	.76 $\mu$ /30 $\mu$ " GXT

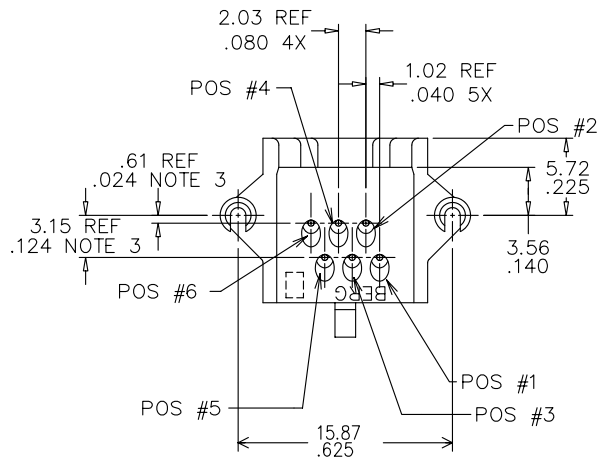
LEAD FREE PRODUCT NO.



SECTION A-A

NOTES:

- FOR VISUAL, MECHANICAL AND FUNCTIONAL REQUIREMENTS SEE SPECIFICATION BUS-12-084.
- GOLD WIRE MATERIAL: PHOS BRONZE ALLOY. UNS-C51000, 135-150M PSI TENSILE PLATING: SEE TABLE
- DIMENSIONAL TOLERANCE:  $\pm .25/\pm .010$  AT BASE  $\pm .64/\pm .025$  AT TIP
- FOR ADDITIONAL APPLICATION AND MOUNTING INFORMATION SEE DRAWING TA-390.
- HOUSING MATERIAL: SEE TABLE.
- TEST METHOD PER UL-1863. SECTION 22.2
- THE PRODUCT MEETS EUROPEAN UNION DIRECTIVES AND OTHER COUNTRY REGULATIONS AS DESCRIBED IN GS-22-008.
- THE HOUSING WILL WITHSTAND EXPOSURE TO 260°C PEAK TEMPERATURE FOR 10 SECONDS IN A WAVE SOLDER APPLICATION WITH A 1.60mm MINIMUM THICK CIRCUIT BOARD.
- IF LF P/N PACKAGING MEETS GS-14-920 SPECIFICATION.



mat'l code				tolerance unless otherwise specified		CUSTOMER COPY		BERG ELECTRONICS	
rev.	ecn no.	dr	date	linear	.0 $\pm$ 0.25	projection		title	
H	REDRAWN ADD-005	RLS	06/01/87		.00 $\pm$ 0.13	⊕		MOD JACK ASSY (623 PCB)	
J	ADDED-007	MSC	08/12/88	angles	.000 $\pm$ 0.05				
K	EXTEND STANDOFF	JWS	10/19/89		$\pm$ 2'				
L	T10087	JT	4/4/91	dr	R. SEIPLE	06/01/87	unit	product family	code
M	T60059	CL	02/13/96	engr	J. SHUEY	06/01/87	mm/inch	size	TWN
N	N05-0019	YS	01/27/05	chr	J. SHUEY	06/01/87	scale	dwg no.	sheet
				appd	J. SHUEY	06/01/87	2.5/1	A3	1 OF 1
sheet	revision	N						66011	
index	sheet	1							