

# Signal conditioner - MCR-C-U-I- 4-DC - 2814537

Please be informed that the data shown in this PDF Document is generated from our Online Catalog. Please find the complete data in the user's documentation. Our General Terms of Use for Downloads are valid (<http://phoenixcontact.com/download>)



MCR 3-way signal conditioner, for electrical isolation of analog signals, input signal: 0 V ... 10 V, output signal: 4 mA ... 20 mA. Replacement part: 2902029 MINI MCR-2-U-I4.


The figure shows version MCR-C-I-I-00-DC

## Your advantages

- Processing of standard signals
- 3-way isolation
- Fixed setting of input and output signals



## Key Commercial Data

Packing unit	5 pc
GTIN	 4 017918 156220
GTIN	4017918156220

## Technical data

### Note

Utilization restriction	EMC: class A product, see manufacturer's declaration in the download area
-------------------------	---

### Dimensions

Width	12.5 mm
Height	99 mm
Depth	114.5 mm

### Ambient conditions

Ambient temperature (operation)	-25 °C ... 60 °C
---------------------------------	------------------

### Input data

Description of the input	Voltage input
Number of inputs	1

# Signal conditioner - MCR-C-U-I- 4-DC - 2814537

## Technical data

### Input data

Configurable/programmable	no
Voltage input signal	0 V ... 10 V
max. input voltage	30 V
Input resistance of voltage input	100 kΩ

### Output data

Output name	Current output
Number of outputs	1
Configurable/programmable	no
Current output signal	4 mA ... 20 mA
Max. output current	30 mA
Load/output load current output	≤ 500 Ω
Linear transmission range (in reference to the output range end value)	-5 % ... 105 %

### Power supply

Supply voltage range	20 V DC ... 30 V DC
Typical current consumption	< 15 mA (without load)

### General

No. of channels	1
Maximum transmission error	≤ 0.3 % (of final value)
Transmission error, typical	< 0.2 % (of final value)
Maximum temperature coefficient	< 0.015 %/K
Limit frequency (3 dB)	30 Hz
Step response (10-90%)	11 ms
Protective circuit	Transient protection
Test voltage, input/output/supply	1.5 kV (50 Hz, 1 min.)
Color	green
Housing material	Polyamide PA non-reinforced
Mounting position	any
Conformance	CE-compliant

### Standards and Regulations

Connection in acc. with standard	CUL
Conformance	CE-compliant

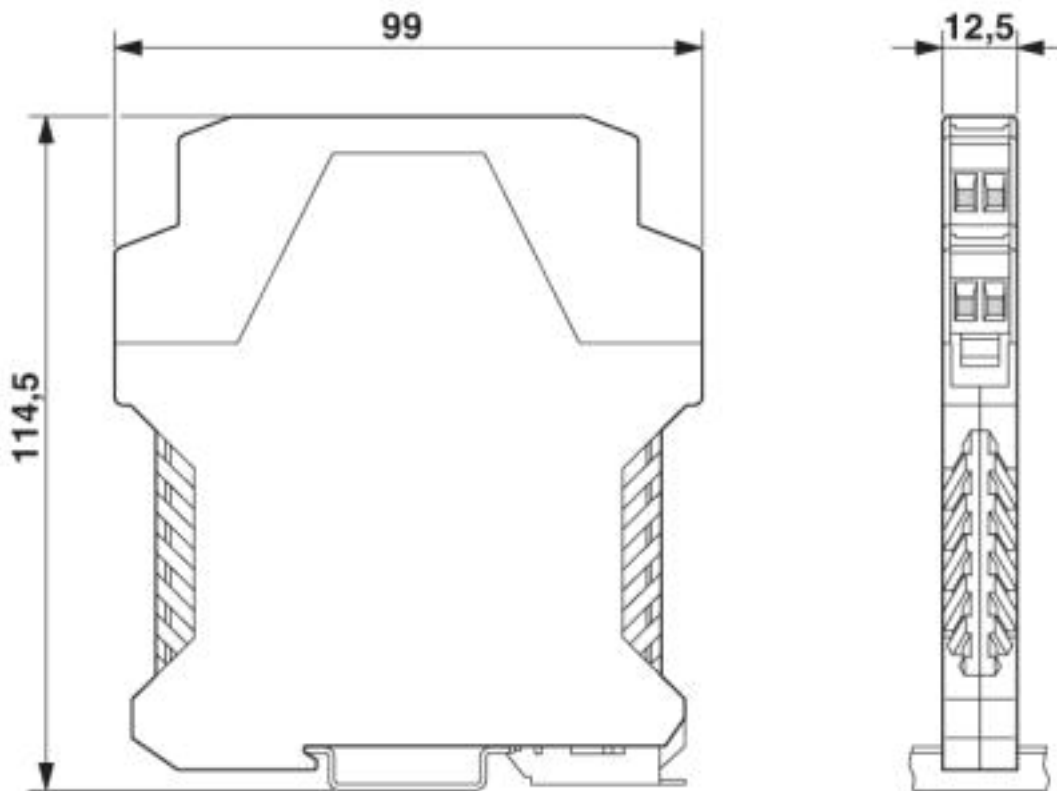
### Environmental Product Compliance

REACH SVHC	Lead 7439-92-1
China RoHS	Environmentally Friendly Use Period = 50 years
	For details about hazardous substances go to tab "Downloads", Category "Manufacturer's declaration"

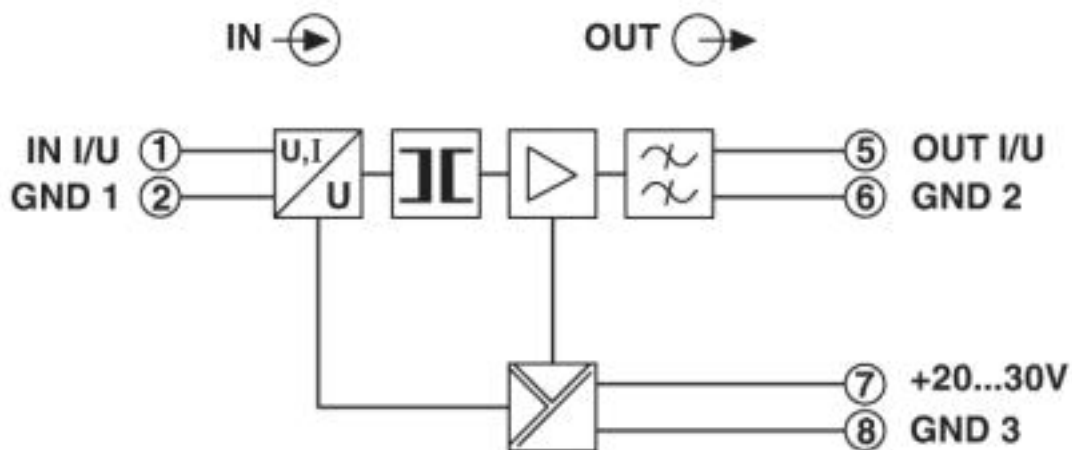
## Drawings

# Signal conditioner - MCR-C-U-I- 4-DC - 2814537

Dimensional drawing



Circuit diagram



## Classifications

eCl@ss

eCl@ss 4.0	27210100
eCl@ss 4.1	27210100
eCl@ss 5.0	27210100

# Signal conditioner - MCR-C-U-I- 4-DC - 2814537

## Classifications

### eCl@ss

eCl@ss 5.1	27210100
eCl@ss 6.0	27210100
eCl@ss 7.0	27210120
eCl@ss 8.0	27210120
eCl@ss 9.0	27210120

### ETIM

ETIM 4.0	EC002653
ETIM 5.0	EC002653
ETIM 6.0	EC002653
ETIM 7.0	EC002653

### UNSPSC

UNSPSC 6.01	30211506
UNSPSC 7.0901	39121008
UNSPSC 11	39121008
UNSPSC 12.01	39121008
UNSPSC 13.2	39121008
UNSPSC 18.0	39121008
UNSPSC 19.0	39121008
UNSPSC 20.0	39121008
UNSPSC 21.0	39121008

## Approvals

### Approvals

---

#### Approvals

UL Recognized / cUL Recognized / EAC / cULus Recognized

---

#### Ex Approvals

---

### Approval details

UL Recognized		<a href="http://database.ul.com/cgi-bin/XYV/template/LISEXT/1FRAME/index.htm">http://database.ul.com/cgi-bin/XYV/template/LISEXT/1FRAME/index.htm</a>	FILE E 238705
---------------	--	---	---------------

# Signal conditioner - MCR-C-U-I- 4-DC - 2814537

## Approvals

cUL Recognized		<a href="http://database.ul.com/cgi-bin/XYV/template/LISEXT/1FRAME/index.htm">http://database.ul.com/cgi-bin/XYV/template/LISEXT/1FRAME/index.htm</a>	FILE E 238705
----------------	--	---	---------------

EAC			RU*DE.*08.B.01536/19
-----	--	--	----------------------

cULus Recognized			
------------------	--	--	--

## Accessories

### Accessories

#### Bridge

Wire bridge - DB 50- 90 GY - 2820929



Wire bridge - DB 50- 90 BK - 2820916

Wire bridge, color: black



Wire bridge - DB 50- 90 BU - 2821180

Wire bridge, color: blue



Phoenix Contact 2020 © - all rights reserved  
<http://www.phoenixcontact.com>

PHOENIX CONTACT GmbH & Co. KG  
Flachsmarktstr. 8  
32825 Blomberg  
Germany  
Tel. +49 5235 300  
Fax +49 5235 3 41200  
<http://www.phoenixcontact.com>